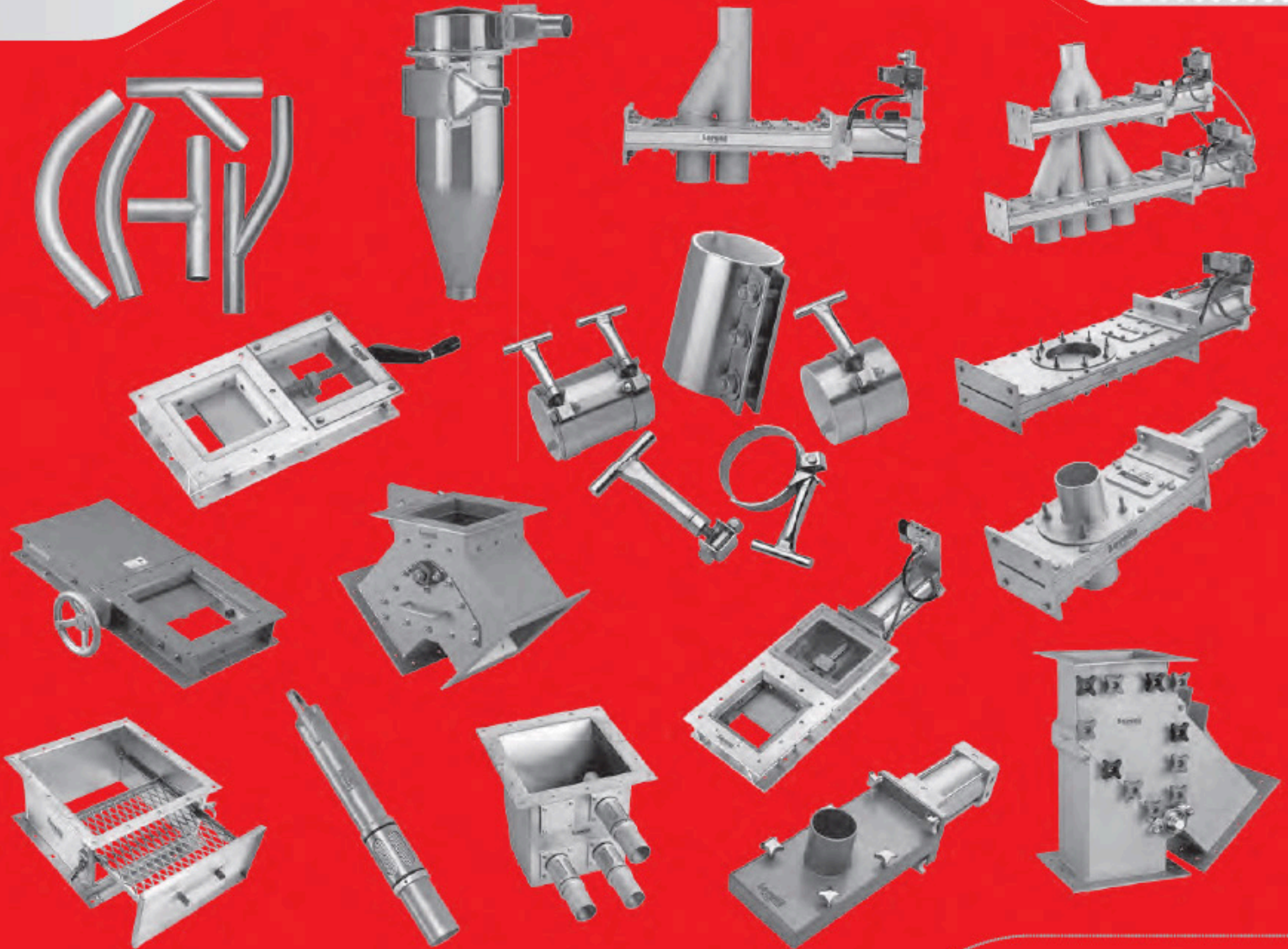


Lorenz

THE CONVEYING PRODUCTS PEOPLE

Manufacturer of Pneumatic Conveying Components

Version 11



Canada 1-800-263-1942 | USA 1-800-263-7782

sales@lorenz.ca | www.lorenzproducts.com | An ISO 9001-2008 Registered Company

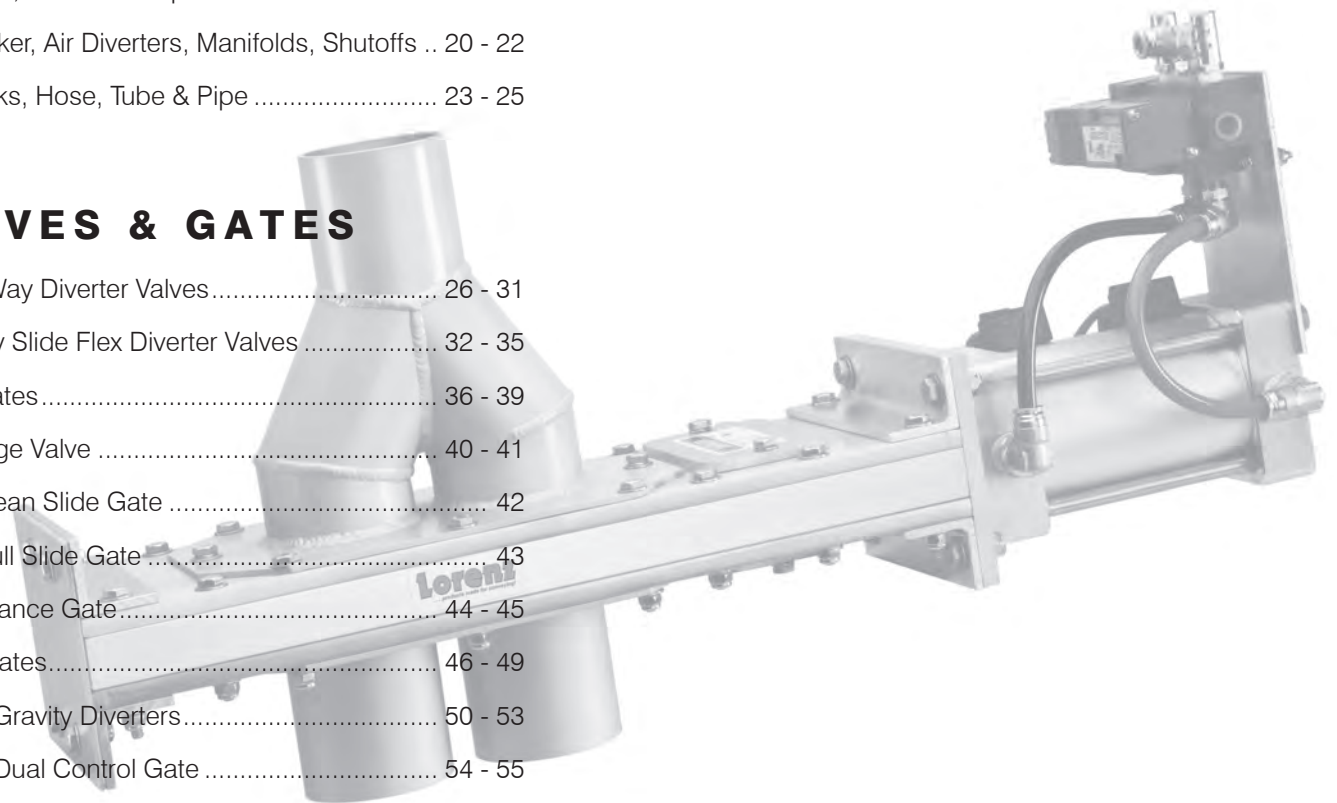
Table of Contents

COMPONENTS AND ACCESSORIES

Clamps & Couplings	3 - 7
Bends, Fittings, Cavity Back & Replacement Back, Ceramic, Flo-Lined, Ceram-Back	8 - 12
Wands, Angel Hair Traps, Probe Box.....	13 - 16
Cyclones, Rail Car Adapters	17 - 19
Air Breaker, Air Diverters, Manifolds, Shutoffs ..	20 - 22
Camlocks, Hose, Tube & Pipe	23 - 25

VALVES & GATES

2, 3, 4 Way Diverter Valves	26 - 31
2, 3 Way Slide Flex Diverter Valves	32 - 35
Slide Gates	36 - 39
Discharge Valve	40 - 41
Easy Clean Slide Gate	42
Push-Pull Slide Gate	43
Maintenance Gate	44 - 45
Roller Gates.....	46 - 49
Sealed Gravity Diverters.....	50 - 53
Gravity Dual Control Gate	54 - 55
By Pass Load Diverter	56 - 57
Aggregate Diverters, Control Gate.....	58 - 61
Multi Port Diverter Systems, Line Controllers	62
Valve Options	63 - 64
Valve Electrical Controls, Infinite Position Controls..	65
Application Chart.....	66
Customization	67



Lorenz Clamp*

For Clamping Doors on Bins, Hoppers, Tanks & Screw Conveyors

Standard Features

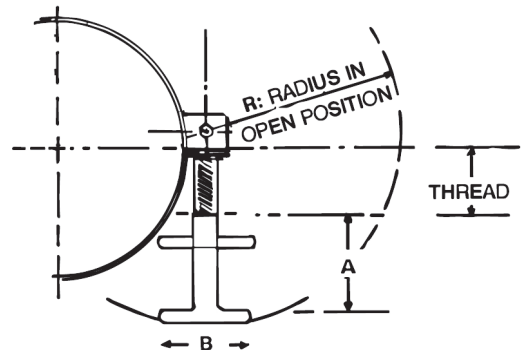
- Manufactured of highly polished stainless steel
 - No tools required
 - Will not loosen through vibration
- Patented one piece unit - parts cannot be lost
- Thick mounting brackets make installation easy
 - Full 2" adjustment
- Full 180° pivot when disengaged - no obstructions



* Patented Canada 1025783
* Patented USA 4193173

MODEL #	THREAD SIZE	A	B	R
250	1/4"	3-1/2"	3"	6-1/2"
250 Short	1/4"	2-1/2"	3"	4-1/2"
312	5/16"	3-1/2"	3"	6-1/2"
312 Short	5/16"	2-1/2"	3"	4-1/2"
375	3/8"	3-1/2"	3"	6-1/2"
375 Short	3/8"	2-1/2"	3"	4-1/2"
500	1/2"	3-1/2"	3"	6-5/8"
750	3/4"	5-1/8"	5"	9"

OTHER SIZES TO ORDER



All Clamps come with "U" clips and bolts for installation

Lorenz Clamps are especially designed for closing on objects such as bins, hoppers, door openings, tanks, bucket elevators, manholes & surge bins.



Standard & Heavy Duty Coupling

Utilizing the **Lorenz** Clamp*

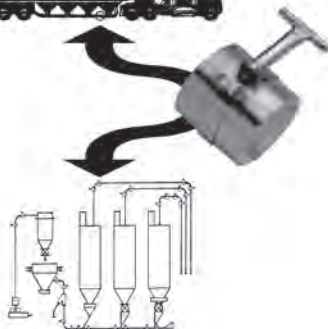


Quick Release Tube & Pipe Couplings!

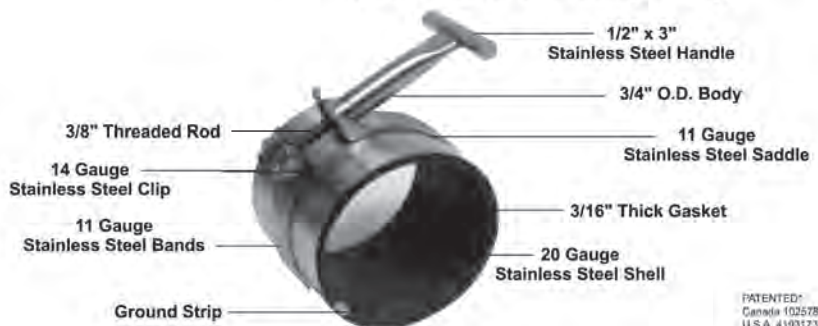
- Especially for use in bulk handling, vacuum or pneumatic conveying lines requiring frequent access
- Handle has positive lock that will not “pop” off during vibration
- Saves money reduces downtime • Patented handle stays with coupling
- No tools required ! • 100% Stainless Steel Construction
- Standard Couplings - 4” long • Heavy Duty Couplings - 6” long
- Drawn together by contraction rather than expansion which allows greater torque
- Thick 3/16” Black Neoprene and White Nitrile (Food Grade) Gaskets Standard

(Silicone & Viton[®] available upon request)

* registered trademark of Dow Dupont Industries



Coupling Specifications (Standard & Heavy Duty)



PATENTED
Canada 1025783
U.S.A. 4193173

Bolted Couplings

The Dependable & Economical Method for Connecting Pneumatic Conveying Tube & Pipe



For Connecting Pneumatic Conveying Tube & Pipe

- Easy to install
- Galvanized or stainless steel shells available
 - Precision cut inner sleeves and gaskets
- Thick 1/8" black neoprene gaskets standard
- White, silicone & Viton® gaskets available
- Thick stiffener bars provide added strength
 - Stainless anti-static strips included
 - Threaded bolts won't strip or break
 - Replacement gaskets available
- Gasket protectors available upon request
- Lengths - 2 bolt 4", 3 bolt 6", 4 bolt 8", 5 bolt 10"

Neoprene - Our standard black gasket for Lorenz Couplings is perfect for most dry bulk conveying applications. Resists rotting and cracking from exposure to ozone. Temperature range (-40° to +200 F°) (-40° to +100°C).

White Nitrile - Excellent gasket for use in the food industry. Manufactured of high quality FDA approved ingredients (-40° to +100° C) (-40° to +200° F).

Silicone - For use in higher temperature applications. Silicone is odourless, tasteless, non-toxic and non-corrosive. Available for all Lorenz products (-60° to +450° F) (-50° to +230° C).

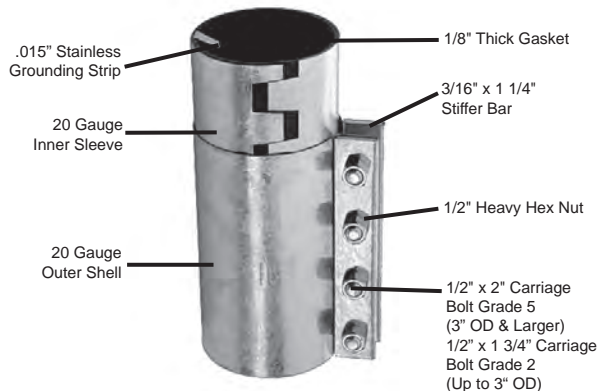
Viton® - Please consult factory for specific details regarding this product.

® registered trademark of Dow Dupont Elastomers

Extension Couplings for Extra Holding Power



Extension kits are available for 3 & 4 bolt couplings from 2" O.D. up to 12" O.D. Consult factory for details.



Coupling Size Chart & Part Numbers

NOTE: For White Gaskets change final letter from B to W.
For 4, 5, and 6 Bolt models change the final number in a product code to the corresponding number of bolts you would like to order. (eg. 150B3GB becomes 150B4GB for 4 bolts.)



**3 Bolt
Galvanized Blk
Gasket**

**3 Bolt
Stainless Shell
Blk Gasket**

**3 Bolt
100% Stainless
Blk Gasket**

Outside Diameter	3 Bolt Galvanized Blk Gasket	3 Bolt Stainless Shell Blk Gasket	3 Bolt 100% Stainless Blk Gasket
1.5"OD	15B3GB	15B3SSB	15B3XSB
1.66"OD	166B3GB	166B3SSB	166B3XSB
1.75"OD	175B3GB	175B3SSB	175B3XSB
1.90"OD	19B3GB	19B3SSB	19B3XSB
2"OD	2B3GB	2B3SSB	2B3XSB
2.125"OD	212B3GB	212B3SSB	212B3XSB
2.188"OD	218B3GB	218B3SSB	218B3XSB
2.25"OD	225B3GB	225B3SSB	225B3XSB
2.375"OD	237B3GB	237B3SSB	237B3XSB
2.5"OD	25B3GB	25B3SSB	25B3XSB
2.875"OD	287B3GB	287B3SSB	287B3XSB
3"OD	3B3GB	3B3SSB	3B3XSB
3.25"OD	325B3GB	325B3SSB	325B3XSB
3.5"OD	35B3GB	35B3SSB	35B3XSB
4"OD	4B3GB	4B3SSB	4B3XSB
4.25"OD	425B3GB	425B3SSB	425B3XSB
4.5"OD	45B3GB	45B3SSB	45B3XSB
5"OD	5B3GB	5B3SSB	5B3XSB
5.25"OD	525B3GB	525B3SSB	525B3XSB
5.563"OD	556B3GB	556B3SSB	556B3XSB
6"OD	6B3GB	6B3SSB	6B3XSB
6.25"OD	625B3GB	625B3SSB	625B3XSB
6.625"OD	662B3GB	662B3SSB	662B3XSB
7"OD	7B3GB	7B3SSB	7B3XSB
7.25"OD	725B3GB	725B3SSB	725B3XSB
7.625"OD	762B3GB	762B3SSB	762B3XSB
8"OD	8B3GB	8B3SSB	8B3XSB
8.25"OD	825B3GB	825B3SSB	825B3XSB
8.625"OD	862B3GB	862B3SSB	862B3XSB
9"OD	9B3GB	9B3SSB	9B3XSB
9.25"OD	925B3GB	925B3SSB	925B3XSB
9.625"OD	962B3GB	962B3SSB	962B3XSB
10"OD	10B3GB	10B3SSB	10B3XSB
10.25"OD	1025B3GB	1025B3SSB	1025B3XSB
10.75"OD	1075B3GB	1075B3SSB	1075B3XSB
11"OD	11B3GB	11B3SSB	11B3XSB
11.25"OD	1125B3GB	1125B3SSB	1125B3XSB
11.75"OD	1175B3GB	1175B3SSB	1175B3XSB
12"OD	12B3GB	12B3SSB	12B3XSB
12.25"OD	1225B3GB	1225B3SSB	1225B3XSB
12.75"OD	1275B3GB	1275B3SSB	1275B3XSB
14"OD	14B3GB	14B3SSB	14B3XSB
16"OD	16B3GB	16B3SSB	16B3XSB
18"OD	18B3GB	18B3SSB	18B3XSB
20"OD	20B3GB	20B3SSB	20B3XSB
24"OD	24B3GB	24B3SSB	24B3XSB



**Standard Coupling
Blk Gasket**



**Heavy Duty
Coupling
Blk Gasket**

Outside Diameter	Standard Coupling Blk Gasket	Heavy Duty Coupling Blk Gasket
1.90"OD	19SB	
2"OD	2SB	2HDB
2.125"OD	212SB	212HDB
2.188"OD	218SB	218HDB
2.25"OD	225SB	225HDB
2.375"OD	237SB	237HDB
2.5"OD	25SB	25HDB
2.875"OD	287SB	287HDB
3"OD	3SB	3HDB
3.25"OD	325SB	325HDB
3.5"OD	35SB	35HDB
4"OD	4SB	4HDB
4.25"OD	425SB	425HDB
4.5"OD	45SB	45HDB
5"OD	5SB	5HDB
5.25"OD	525SB	525HDB
5.563"OD	556SB	556HDB
6"OD	6SB	6HDB
6.25"OD	625SB	625HDB
6.625"OD	662SB	662HDB
7"OD	7SB	7HDB
7.25"OD	725SB	725HDB
7.625"OD	762SB	762HDB
8"OD	8SB	8HDB
8.25"OD	825SB	825HDB
8.625"OD	862SB	862HDB
9"OD	9SB	9HDB
9.25"OD	925SB	925HDB
9.625"OD	962SB	962HDB
10"OD	10SB	10HDB
10.25"OD	1025SB	1025HDB
10.75"OD	1075SB	1075HDB
11"OD	11SB	11HDB
11.25"OD	1125SB	1125HDB
11.75"OD	1175SB	1175HDB
12"OD	12SB	12HDB
12.25"OD	1225SB	1225HDB
12.75"OD	1275SB	1275HDB
14"OD	14SB	14HDB
16"OD	16SB	16HDB
18"OD	18SB	18HDB
20"OD	20SB	20HDB
24"OD	24SB	24HDB

Bag & Hose Clamps

Utilizing the **lorenz** Clamp*



Bag Clamp

*Patented
Canada 1025783
USA 4193173



Hose Clamp

Standard Features

- No tools required
- The convenient way to connect dust bags to spouts for easy removal
- One piece stainless steel construction prevents loss of parts
- Custom made on 1" wide stainless steel band

When ordering bag and hose clamps, always specify the O.D. of the pipe or hose on which clamp will be used, taking in to consideration the resilience of the item being clamped.

Fits size range +1/4

Any intermediate sizes not listed are also available.

Bag and Hose Clamps		
Size Chart		
O.D (inches)	Type and Model #	
	Bag	Hose
3	3LB	3LH
3.25	325LB	325LH
3.5	35LB	35LH
4	4LB	4LH
4.25	425LB	425LH
4.5	45LB	45LH
5	5LB	5LH
5.25	525LB	525LH
5.563	556LB	556LH
6	6LB	6LH
6.25	625LB	625LH
6.625	662LB	662LH
7	7LB	7LH
7.25	725LB	725LH
7.625	762LB	762LH
8	8LB	8LH
8.25	825LB	825LH
8.625	862LB	862LH
9	9LB	9LH
9.25	925LB	925LH
9.625	962LB	962LH
10	10LB	10LH
10.25	1025LB	1025LH
10.75	1075LB	1075LH
11	11LB	11LH
11.25	1125LB	1125LH
11.75	1175LB	1175LH
12	12LB	12LH
12.25	1225LB	1225LH
12.75	1275LB	1275LH
14	14LB	14LH
16	16LB	16LH
18	18LB	18LH
20	20LB	20LH
24	24LB	24LH

Seal Clamps



Standard Features

- 16 gauge thick 304 stainless steel band
 - 4" long band lap • 3/4" wide band
- 7" long X 1/2" bolt • Range + 3/4" in diameter
 - Up to 4 draw points
- 11 gauge bands are available

Size Chart

12" (1') up to 48" (4') dia. - 1 draw point
^{over} 48" (4') up to 96" (8') dia. - 2 draw points
^{over} 96" (8') up to 144" (12') dia. - 3 draw points
^{over} 144" (12') up to 192" (16') - 4 draw points
 Max length per section is 156" (13')

Tube & Pipe Bending

Aluminum • Carbon Steel • Stainless • Galvanized



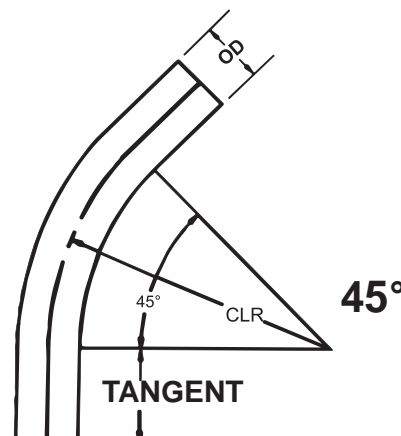
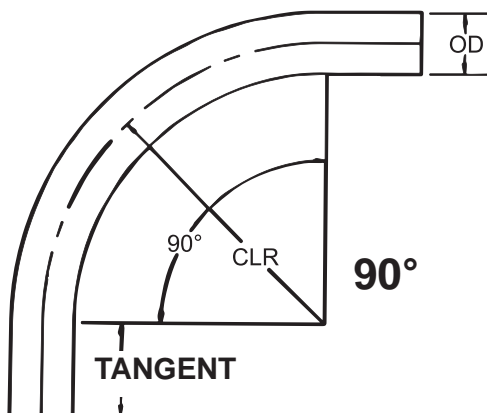
Long and short radius elbows for pneumatic conveying and vacuum conveying systems. Internal mandrel bending equipment provides top quality bends from 1½" up to 6" O.D. (outside diameter) covering all standard tube & pipe sizes. Selected materials specific to the conveying industry provide consistent, uniform and durable bends. 90°, 60°, 45°, 30° and 22.5° elbows are manufactured for immediate delivery. Custom offsets and custom bending is available.

BENDING MATERIAL SPECIFICATIONS			
	Aluminium	Stainless	Carbon
Tubing	6063-T1	304/304L/316	ERW-FC
	Extruded	A554/A778/A249	A513
Pipe	6063-T1	304/304L/316	Black
	Extruded	A312	A53/A312

Wall thickness*: 16 gauge (.065"), 14 gauge (.083"), 11 gauge (.120"/.125"), schedules 10, 40, 80.
*all specifications are for reference only.

ORDER BENDS BY:

Outside diameter (OD), wall thickness, material, degree of bend, center line radius (CLR)



Bending Information

Tube Bending Capabilities

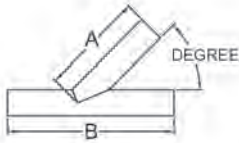
O.D. (inches)	Center Line Radius (CLR) (inches)	Gauge	Wall Thickness (inches)
1 ½	5 ¾, 7, 10, 11 ¾, 18, 24, 30, 36, 48	11, 16	.120, .065
1 ¾	10 ¼, 11 ¾, 18, 24, 30, 36, 48	16	.065
2	7, 10 ¼, 11 ¾, 18, 24, 30, 36, 48	11, 16	.120, .065
2 ⅛	10 ¼, 24, 36	16	.065
2 ¼	11 ¾, 18, 24, 36, 48	16	.065
2 ½	10 ¼, 11 ¾, 18, 24, 30, 36, 48	16, 11	.065, .120
3	12, 18, 24, 30, 36, 48	16	.065
3	11 ¾, 18, 24, 30, 36, 48	14	.083
3	8 13/16, 11 ¾, 18, 24, 30, 36, 48	11	.120
3 ¼	18, 24, 30, 36, 48	11	.120
3 ½	11 ¾, 18, 24, 30, 36, 48	11	.120
4	30, 48	16	.065
4	13 ⅝, 18, 24, 30, 36, 48	11	.120
4 ½	18, 24, 30, 36, 48	11	.120
5	30, 36, 48	11	.120
6	36, 48	11	.120

Pipe Bending Capabilities

Nominal Pipe Size	O.D.	Center Line Radius (CLR) (inches)	Schedule Wall Thickness (inches)	
1	1.315	4 ⅛, 5	40	0.133
1 ¼	1.660	6 ½, 24	40	0.14
1 ½	1.900	5 ¾, 7 5/16, 10 ¼, 18, 24, 30, 48	40	0.145
2	2.375	6 7/8*, 10 ¼, 11 ¾, 18, 24, 30, 36, 48	10, 40, 80	.109, .154, .218
2 ½	2.875	7 3/8*, 9 7/8*, 11 ¾, 18, 24, 30, 36, 48	10, 40, 80	.120, .203, .276
3	3.500	8 13/16, 11 ¾, 18, 24, 30, 36, 48	10, 40, 80	.120, .216, .300
3 ½	4.000	10 1/2*, 12*, 13 ⅝, 18, 24, 30, 36, 48	10, 40, 80	.120, .226, .318
4	4.500	12*, 18, 24, 30, 36, 48	10, 40, 80	.120, .237, .337
5	5.563	20*, 30, 36, 48	10, 40, 80	.134, .258, .375
6	6.625	24*, 30*, 36, 48	10, 40, 80	.134, .280, .432

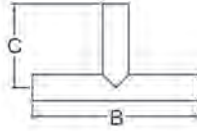
Pneumatic Fittings Specifications

Mild Steel • Aluminum • Stainless • Galvanized • All Tubing & Pipe Sizes



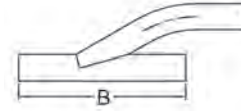
Lateral

Sizes	30°		45°		60°	
	A	B	A	B	A	B
1 1/2	10	16	10	16	8	14
1 3/4	10	16	10	16	8	14
2	10	16	10	16	8	14
2 1/4	10	16	10	16	8	14
2 1/2	12	18	10	16	8	16
3	12	18	10	16	8	16
3 1/2	16	24	12	20	12	24
4	16	24	12	20	12	24
4 1/2	18	26	16	24	16	24
5	18	30	18	24	18	24
6	24	36	20	30	20	30
8	28	36	20	36	20	36



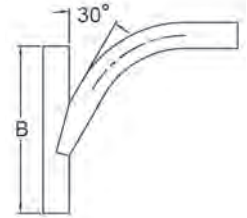
Tees

Sizes	B	C
1 1/2	12	6
1 3/4	12	6
2	12	6
2 1/4	12	6
2 1/2	16	8
3	16	8
3 1/2	16	8
4	20	8
4 1/2	24	10
5	24	10
6	24	10
8	28	12



Parallel Wye

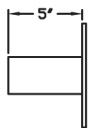
Sizes	B
1 1/2	16
1 3/4	16
2	16
2 1/4	16
2 1/2	16
3	16
3 1/2	20
4	20
4 1/2	24
5	24
6	30



90° Ty

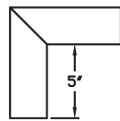
Sizes	B
1 1/2	16
1 3/4	16
2	16
2 1/4	16
2 1/2	16
3	16
3 1/2	20
4	20
4 1/2	24
5	24
6	30

Order Pneumatic fittings by O.D., type of metal, wall thickness, radius and/or degree as applicable

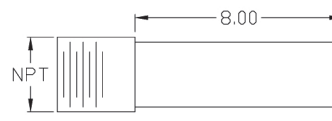


Matches
150 lb.
Flange
Pattern

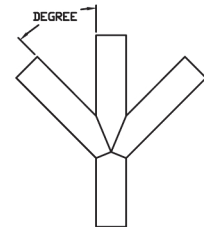
Flange Tube Adapter
(specify sizes)



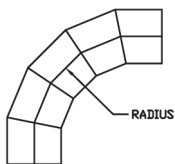
Square 90°
(specify OD)



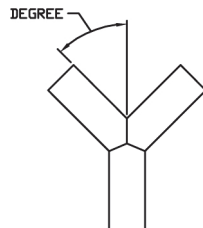
Threaded Adapter
(male & female)



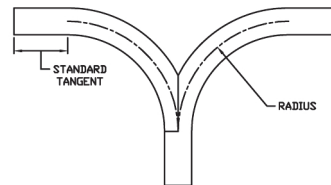
Dual Straight Through Lateral
(specify degree)



Segmented Elbow
(specify radius & number of segments)



True Wye
(specify degree)



Coped Wye
(specify radius)



Transition
(specify outside diameters)

Also Available - Drop Line Tees & Common Line Diverters

Abrasion Solutions for Elbows

Longer Wear Life • Reduces Downtime, Product Waste & Maintenance Costs
 Available in Carbon Steel • Standard Smooth Flow Elbow Sizes Available

Open Cavity Back Elbows

Double Wall Elbow consisting of a standard bent elbow, with an additional backing cavity constructed of Abrasion Resistant Steel welded in place. As the product stream wears through the elbow, it will fill the back cavity. The product stream will then wear on the material trapped in the cavity instead of on the elbow or backing steel. Use where cross contamination is not an issue as cavity will hold material.



Options

- Concrete Filled – for additional wear protection
- Stainless Steel Construction

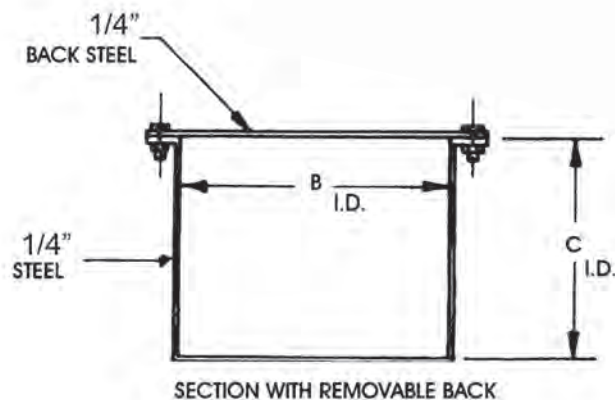
Replacement Back Elbows

Single Wall - Fully Fabricated Elbow with Square Cross section. Carbon Steel Construction with Abrasion Resistant (AR400) Steel Back (replaceable) and Transitions. Use where cross contamination is an issue. The convenience of replacing the back versus the entire elbow offers a very economical and time saving solution.

(Optional - Stainless Steel Construction)



SIZE	DIMENSIONS		
	OD	B	C
3	3	3	2-1/2
3-1/2	3-1/2	3-1/2	2-15/16
4	4	4	3-3/8
4-1/2	4-1/2	4-1/2	3-3/4
5	5	5	4-1/8
6	6	6	4-3/4
8	8	8	6-1/2
10	10	10	8
12	12	12	9-1/2
14	14	14	11-1/4



Flo-Lined

Treatment to Tube & Pipe for Preventing “Angel Hair” & “Snake Skin” in Plastics Conveying Systems

Theory Behind “FLO-LINING”

The interior of tube or pipe (11ga. minimum) has a hammered finish applied to it. The finish is extremely irregular without sharpness encountered in sandblasting. Testing has proven that the surface hardness increased as much as 10% due to the hammered stress. Conveying lines which utilize aluminum alloys will work harden therefore increasing the life of the textured surface. When originally tested the hammered finish scored so low that the tests were repeated several times to be certain that the generation of fines, fluff and streamers were consistent.* Aluminum or stainless steel tube/pipe are available for lining.

* Copy of report available upon request.



Ceramic Lining

Treatment to Tube & Pipe for Reducing Abrasion in Conveying Systems

Process of “Ceramic Lining”

The elbow or fitting is cleaned. The ceramic is pumped into the elbow or fitting and hot air dried. After the moisture is out of the elbow it is placed in a furnace at 1560 degrees to fuse the ceramic on the interior of the elbow. The hardness of the ceramic is between 8-10 on the MoHs Scale. This interior coating can be applied as a single coat (6-8 thou thick) or a double coat (10-12 thou thick). The ceramic lining provides a long lasting interior on elbows or fittings to prevent abrasion. Carbon steel is the preferred material to line. Stainless steel can be done as well.

Other services available • Cement backed elbows • Removable back



“Ceram-Back”[®] Elbows

The Ceram-Back elbow has a jacket across the back of the core elbow which is approximately 1/2” of ceramic compound. This compound has a Mohs Hardness of 9+. The ceramic jacket and core elbow is then wrapped with an exterior material to maintain hoop strength. Once the core elbow has worn through, the abrasion is transferred to the ceramic outer jacket. The core also acts as a static conductor.



Pick Up Wands

For Emptying Containers of Plastic Pellets

Traditional

- Aluminum Construction 48" length c/w 6 air holes and stand off loop

Diameter	Part #
1.5" OD	PT 150 A
1.75" OD	PT 175 A
2.00" OD	PT 200 A
2.25" OD	PT 225 A
2.50" OD	PT 250 A
3.00" OD	PT 300 A
3.50" OD	PT 350 A
4.00" OD	PT 400 A



Deluxe Air Intake Control

- Aluminum Construction 58" length
- Adjustable air flow control c/w screen, stand off loop

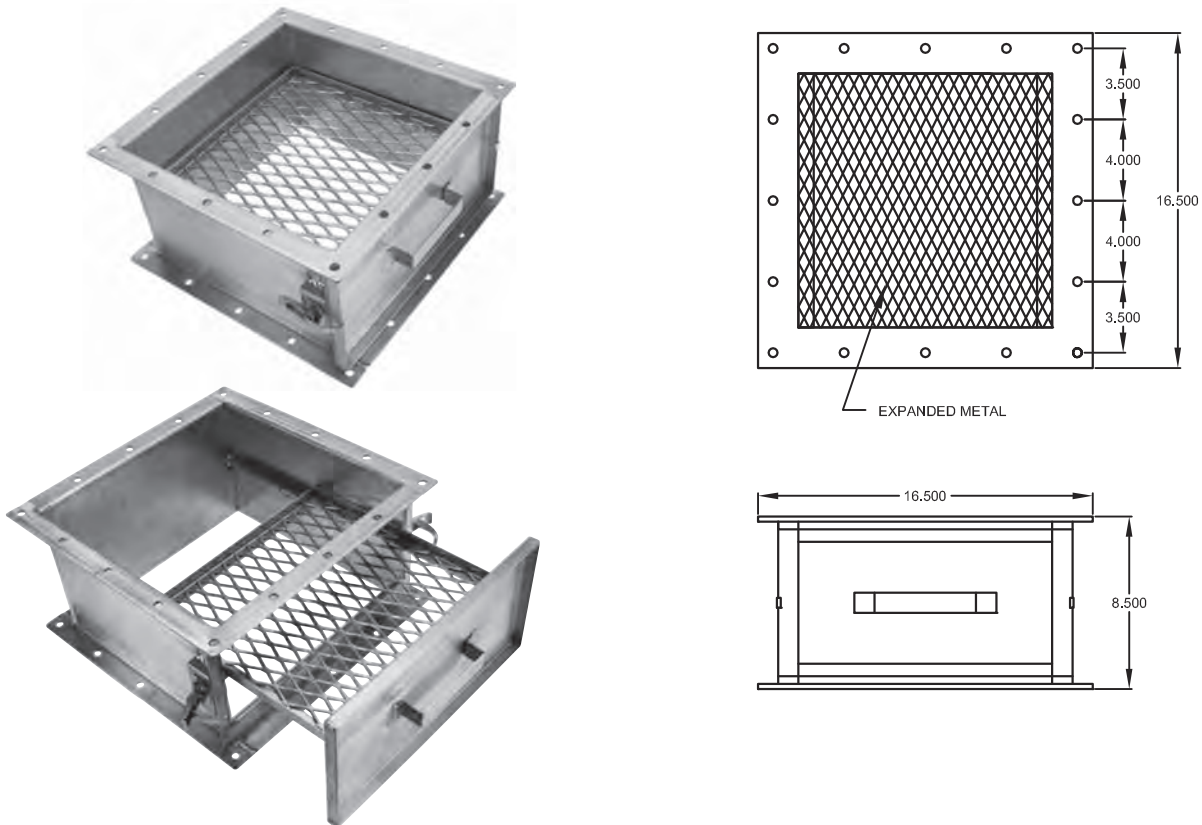
Diameter	Part #
1.5" OD	PD 150 A
1.75" OD	PD 175 A
2.00" OD	PD 200 A
2.25" OD	PD 225 A
2.50" OD	PD 250 A
3.00" OD	PD 300 A
3.50" OD	PD 350 A
4.00" OD	PD 400 A



Powder version available upon request

Angel Hair Trap

Angel Hair Traps “Angel Hair”, “Streamers” or “Snake Skins” Common in the Conveying of Plastic Materials at the Base of a Silo or Storage Bin in Gravity Applications

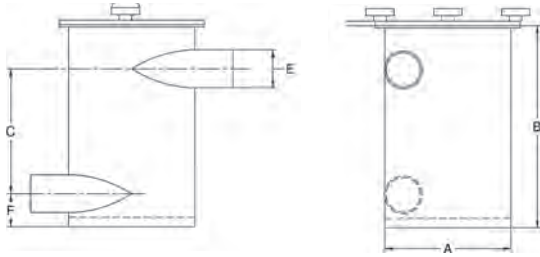


Aluminum Construction • Low profile design is only 8 1/2” high

Standard Features

- Easy clean/removable screens available in stainless steel or aluminum in 3/4” expanded metal size (1/2” expanded metal optional)
- Standard unit mounts directly to 16” square bolt hole pattern Lorenz Maintenance Gates and Distribution (Probe) Boxes
 - Optional 6” height available
 - Custom sizes available

In-Line Angel Hair Trap



A	B	C	E*	F	APPROXIMATE CUBIC INCHES
8"	10.75"	6.5"	2"	2"	440
10"	16"	9.875"	3"	2.625"	1130
10"	16"	9.875"	4"	3.125"	1130
10"	16"	9"	5"	3.5"	1130
18"	23.50"	14.375"	6"	4.125"	5710

Features & Benefits

- **Eliminate Downtime** caused by Angel Hair and Streamers
- The clear viewing cover for level indication can be quickly removed for clean out
- For use in vacuum lines and pressure conveying systems
- Three standard body sizes are 8" - 10" and 18" with line sizes from 1.5" O.D. up to 6" O.D.
- Body constructed of 12 gauge - 304 stainless steel
- Connects to line with compression couplings

Designed to mount in the material stream to collect "angel hair", "streamers" or "snake skins" while allowing the pellets to pass through.

Automated In-Line Angel Hair Trap

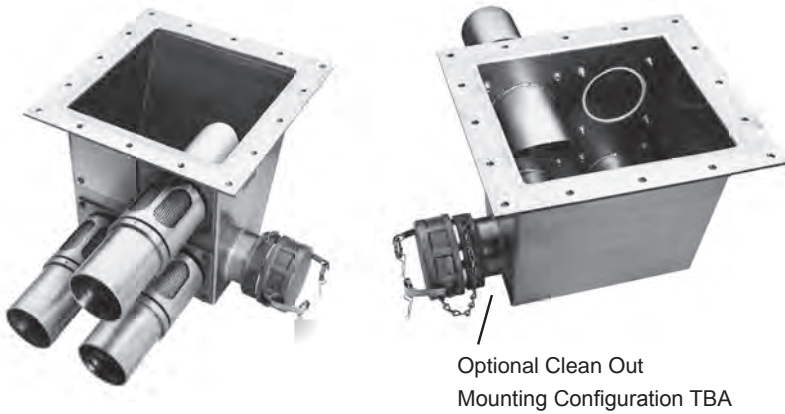


Features & Benefits

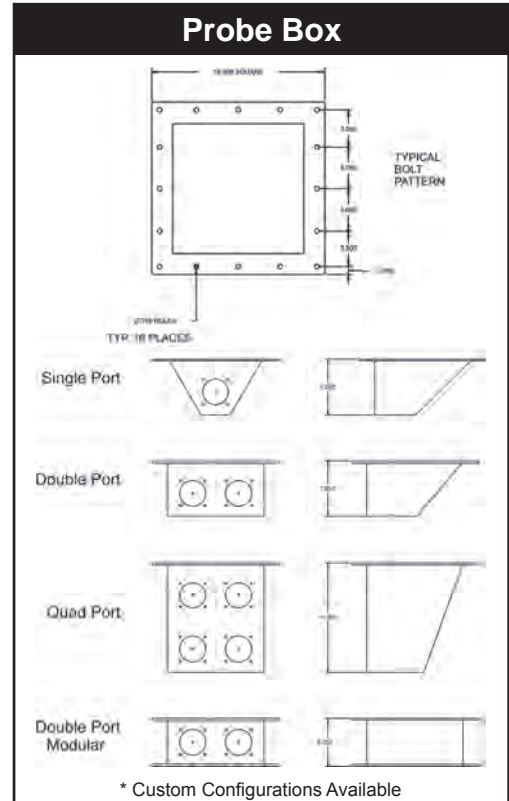
- **Eliminate Downtime** caused by Angel Hair and Streamers
- Sensors indicate when the trap is full
- 1.5" OD to 4.5" OD line sizes with 10" Storage Cans
- Stainless Steel construction with Aluminum or Carbon Steel frame
- Suitable for Pressure & Vacuum Conveying

Probe Box

For Installation Below a Silo to Allow Direct Routing of Conveying Lines.
Multiple Outlets Available Upon Request.

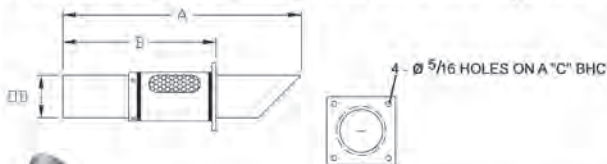


- Aluminum Construction
- Modular Construction
- Extensions may be added
- Stainless Construction Optional



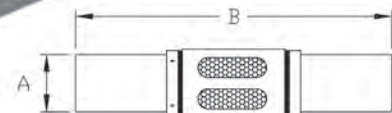
Horizontal Probe

Horizontal Probe allows user to ratio incoming air for proper conveying performance • Aluminum Construction • Stainless construction optional



PART NUMBER	OD	A	B	C
HP15A HP15S	1.5	13	9	4.5
HP175A HP175S	1.75	13	9	4.5
HP2A HP2S	2	13.25	9	4.5
HP25A HP25S	2.5	14	9	4.5
HP3A HP3S	3	14	9	4.5
HP35A HP35S	3.5	15	9	4.5
HP4A HP4S	4	17	10.5	6.5

Air Flow Control



Air Flow Control			
Model		Dimensions	
Aluminum	Stainless	A	B
AFC15A	AFC15SS	1.5	14
AFC175A	AFC175SS	1.75	14
AFC2A	AFC2SS	2	14
AFC25A	AFC25S	2.5	14
AFC3A	AFC3SS	3	14
AFC35A	AFC35SS	3.5	14
AFC4A	AFC4SS	4	14

All units in inches

Cyclones



High Efficiency (HE)
Three Piece



High Efficiency One Piece

High Efficiency (HE) for Powders & Fine Materials

- Standard One Piece Construction
- Stainless Steel - Carbon Steel - Aluminum
- From 200 CFM to 8000 CFM
- Standard sizes available from 12" to 90"
- Scrolled Inlet/Outlet Minimizes Wear
- Standard Mounting Brackets
- Less Turbulence, Less Resistance
- Optional 3 Piece Construction for Easy Cleaning
- Standard Clockwise Rotation



Normal Efficiency (NE)

Normal Efficiency (NE) for Pellets & Larger Materials

- Solid 1 Piece Construction
- Stainless Steel - Carbon Steel - Aluminum
- From 200 CFM to 8000 CFM
- "Straight In" Inlet/Outlet for Heavier Products
- Standard Mounting Brackets
- Top Outlet can be Piped to Outside or Dust Collection
- Standard Clockwise Rotation



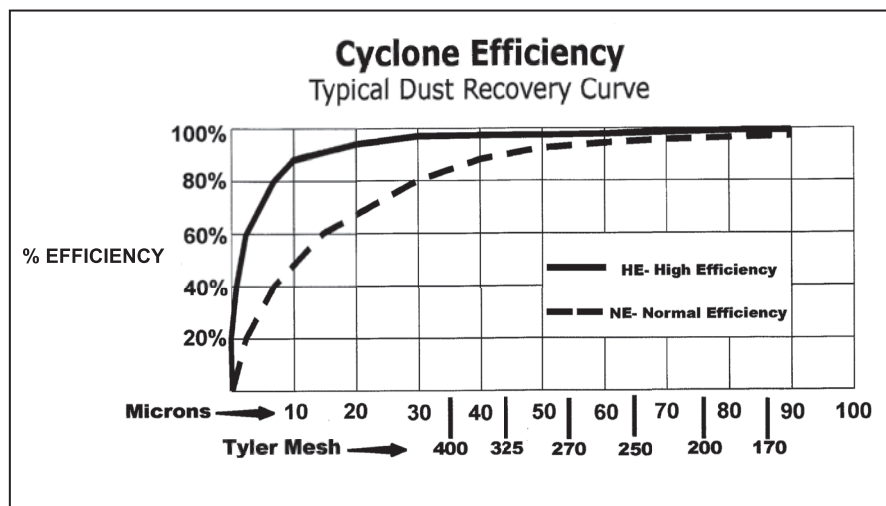
Customizations: Non-standard Sizes & Configurations

Cyclone Information

High Efficiency (HE) Cyclone
Scroll Inlet/Outlet configuration



Normal Efficiency (NE) Cyclone
Inlet/Outlet configuration



Options

- Mounting brackets
- Access/Cleanout Doors
- Plain End & Flanged Inlets/Outlets
- Perforated Construction
- Counter Clockwise Inlets/Outlets (HE)
- Multiple Inlets
- Rotating Tops (HE)
- Wear Liners

Inline Vacuum Cyclone



A Ø	B Ø	C	D	E Ø	F	G	CFM@ 2" wg
1 1/2	10	28	52	12	21	27	55
2	12	28	54	12	21	27	100
2 1/4	14	37	62	12	21	32	160
3	16	37	62	12	21	32	240
4	18	44	79	16	30	41	440

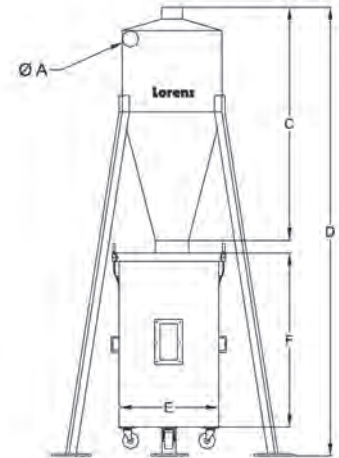
Dimension chart in inches

Standard Features

- Carbon steel painted construction
 - Angle iron frame & feet pads
- Sealed canister c/w casters & sight glass
 - Easy clamp removal

Options

- Counter clockwise inlet rotation
- Stainless and aluminum construction
 - Larger sizes available



Rail Car Adapter & Filter



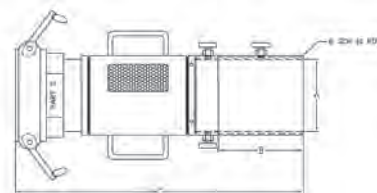
Rail Car Adapter

Rail Car Adapter				
Model #		Dimensions		
Camlock Connections		A (OD)	B	C
Male	Female			
RCP2AA	RCP2DA	2	5.25	32.5
RCP25AA	RCP25DA	2.5	5.25	32.5
RCP3AA	RCP3DA	3	5.25	32.5
RCP4AA	RCP4DA	4	5.25	22.5
RCP5AA	RCP5DA	5	5.25	24
RCP6AA	RCP6DA	6	7	24

All units in inches



Rail Car Farside Filter



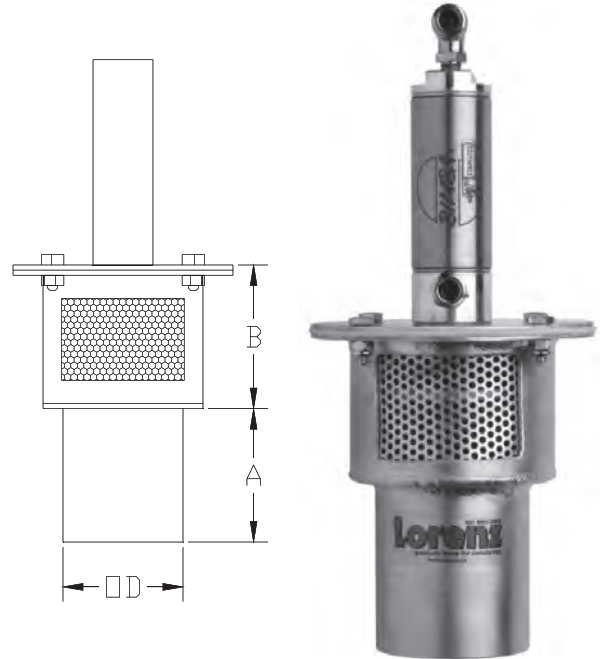
Air Vacuum Breaker (AVB)

Standard Features

- For breaking the vacuum in a system allowing air into the system
- Aluminum construction
- Air cylinder control

Air Vacuum Breaker				
Model		Dimensions		
Aluminum	Stainless	OD	A	B
AVB-200-AL	AVB-200-SS	2	3.25	3.5
AVB-250-AL	AVB-250-SS	2.5	3.25	3.5
AVB-300-AL	AVB-300-SS	3	3.25	3.5
AVB-350-AL	AVB-350-SS	3.5	3.25	3.625
AVB-400-AL	AVB-400-SS	4	3.25	3.625

all units in inches

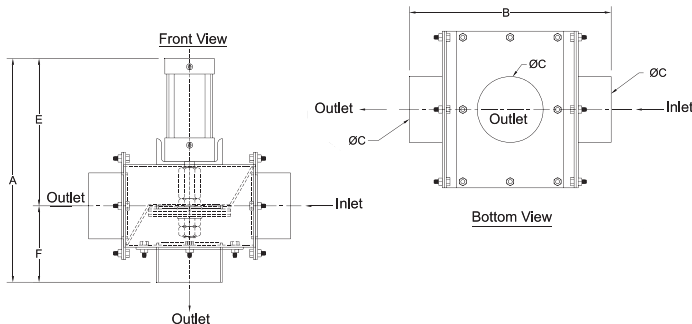


Air Pressure Diverter/Vacuum Valve (APD)



Standard Features

- For directing clean air from source to 2 lines.
Air only, no material in line.
- Works up to 15 psig pressure / 25" Hg (mercury) vacuum
- Standard – Carbon Steel Painted
Option – Stainless Steel



Air Pressure Diverter Valve (APD)						
Model	Dimensions					
	A	B	C	D	E	F
APD-200-CS	13.5625	12.25	2	9.5	8.935	4.625
APD-250-CS	13.5625	12.25	2.5	9.5	8.935	4.625
APD-300-CS	13.5625	12.25	3	9.5	8.935	4.625
APD-350-CS	13.5625	12.25	3.5	9.5	8.935	4.625
APD-400-CS	13.5625	12.25	4	9.5	8.935	4.625
APD-450-CS	19.0625	20.75	4.5	12	11.935	7.125
APD-500-CS	19.0625	20.75	5	12	11.935	7.125
APD-600-CS	19.0625	20.75	6	12	11.935	7.125

All units in inches

Manifold Station

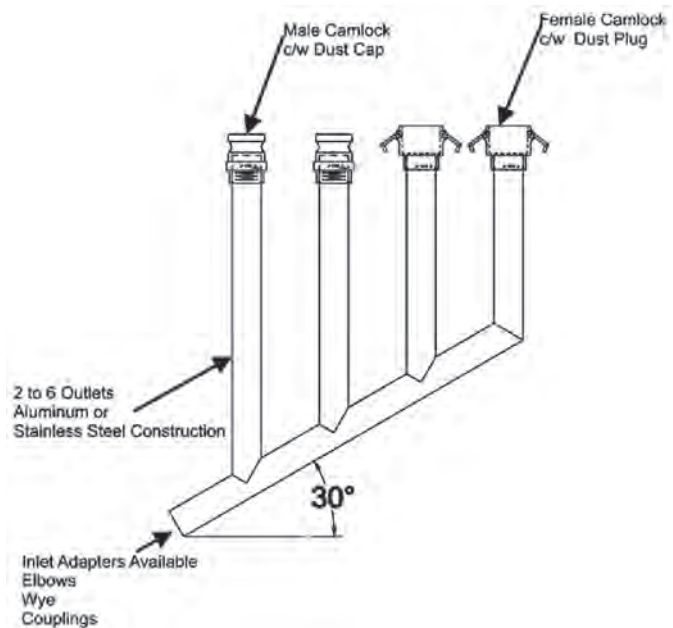


Standard Features

- Open Concept
- Stand is Carbon Steel Construction - Painted Black
- Mounting Channels allow for Horizontal Alignment of Fan Tail Manifold Modules with incoming /outgoing lines.
- Two Sizes of Stands Available
 - *FTMTF30-5* – Can accommodate up to 5 Fan Tail Manifold Modules
 - *FTMTF30-10* – Can accommodate up to 10 Fan Tail Manifold Modules
- Optional – Tables
- Optional – Abrasion Resistant Options

Fan Tail Manifold Modules

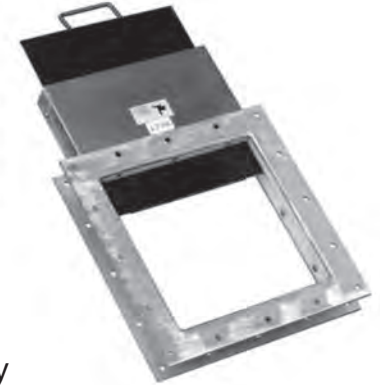
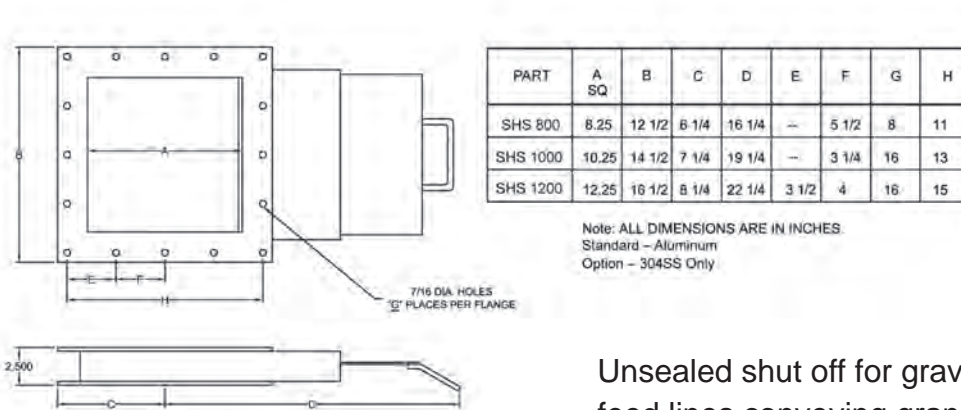
- Available with 2 to 6 outlets
- Standard with Universal Camlock type fittings (Male or Female), with Dust Caps or Plugs.
- Available in Aluminum or Stainless Steel
 - 11 g or 16 g.
- Optional Inlet Adapters
 - Elbow to bring inlet parallel with floor
 - Inlet Wye – allows for more compact manifold units
 - Bolted Couplings



Custom Manifolds

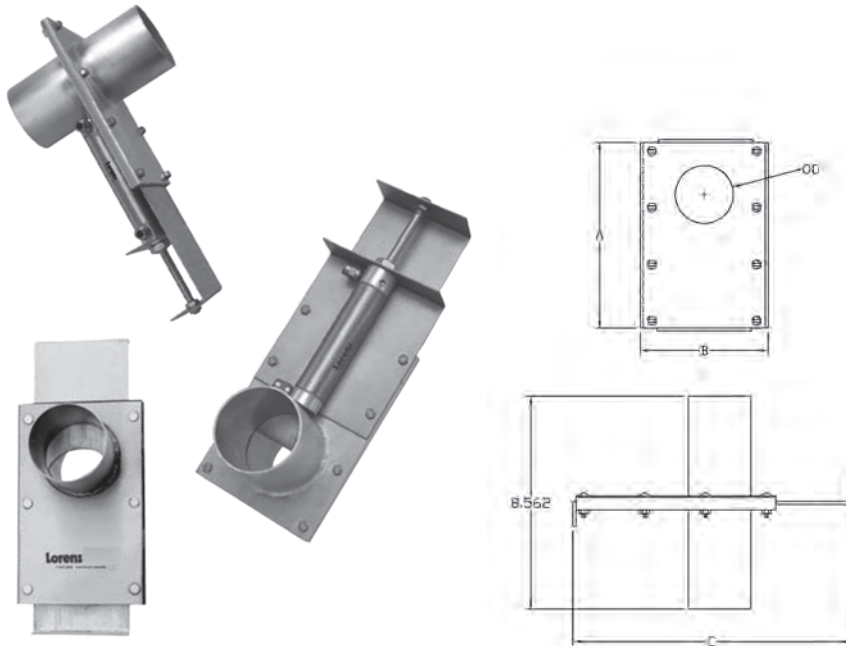
Lorenz can custom build your manifold configuration. Please contact Lorenz.

Silo/Hopper Shut Off



Unsealed shut off for gravity feed lines conveying granules.

Shut Offs



OD	A	B	C
1.5	5.00	4.00	7.25
2.0	6.25	4.625	9.125
2.5	8.00	5.50	11.25
3.0	8.00	5.50	11.50
3.5	10.00	6.625	14.75
4.0	10.00	6.625	14.75
4.5	11.00	7.125	16.25
5.0	12.00	7.625	17.75
6.0	14.00	9.625	20.50
8	18	11.625	26.75

Standard Features

- Shut off for gravity feed lines of pellets
- Stainless steel, aluminum and carbon steel construction
- Sizes 1.5" to 6" O.D.

Hand or air cylinder actuated
Intermediate sizes are available

Camlocks

**PART "A"
MALE**



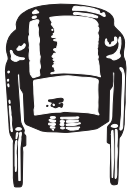
**PART "B"
FEMALE**



**PART "C"
FEMALE
(Hose Shank)**



**PART "DC"
DUST CAP**



**PART "D"
FEMALE**



**PART "E"
MALE
(Hose Shank)**



**PART "F"
MALE**

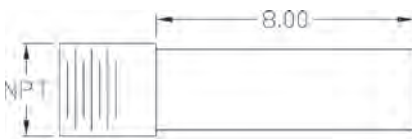


**PART "DP"
DUST PLUG**

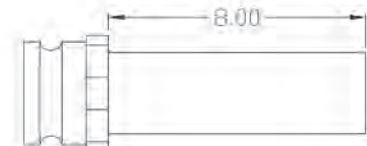
Lorenz Aluminum Camlocks Sizes & Part Numbers - Stainless Steel Also Available

PART	PIPE SIZE (nominal)						
	1 1/2"	2"	2 1/2"	3"	4"	5"	6"
PART "A"	CL15A	CL2A	CL25A	CL3A	CL4A	CL5A	CL6A
PART "B"	CL15B	CL2B	CL25B	CL3B	CL4B	CL5B	CL6B
PART "C"	CL15C	CL2C	CL25C	CL3C	CL4C	CL5C	CL6C
PART "D"	CL15D	CL2D	CL25D	CL3D	CL4D	CL5D	CL6D
PART "E"	CL15E	CL2E	CL25E	CL3E	CL4E	CL5E	CL6E
PART "F"	CL15F	CL2F	CL25F	CL3F	CL4F	CL5F	CL6F
PART "DC"	CL15DC	CL2DC	CL25DC	CL3DC	CL4DC	CL5DC	CL6DC
PART "DP"	CL15DP	CL2DP	CL25DP	CL3DP	CL4DP	CL5DP	CL6DP

*MALE & FEMALE CAMLOCKS AVAILABLE WITH STUB TO COUPLE WITH TUBING SIZES



**Threaded Adapters
(Male & Female)**



Tube Stub Adapters

Hose Types/Properties



PVC Hose

- Clear, food grade, PVC, material-handling hose.
- Smooth bore for better product movement.
- Suction and discharge of pellets and powders.
- Moderate abrasion resistance.
- Temperature range -10°C to +65°C (15°F to 150°F).
- 1.5"ID to 6"ID in 100' rolls or cut to length.



PVC StaticHose

- Clear, food-grade, PVC hose with internal static wire.
- Smooth bore for better product movement.
- Suction and discharge of pellets and powders.
- Moderate abrasion resistance.
- Temperature range -10°C to +65°C (15°F to 150°F).
- 1.5"ID to 6"ID in 100' rolls or cut to length



PU Vac

- Polyurethane hose reinforced with anti-shock helix.
- Smooth, clear, lightweight and flexible
- High abrasion resistance (5X superior to normal PVC).
- Suction and discharge of abrasive powders, fumes, shavings, chips, grain, cement and plastic pellets.
- Temperature range -20°C to +80°C (-4°F to 176°F).
- 1.5"ID to 6"ID in 100' rolls or cut to length.



Stainless & Galvanized Steel Hose

- Stripwound and interlocked metal hose ideal for pneumatic and dry-bulk conveying.
- Available with a smooth, abrasion-resistant metal liner for better product movement.
- Directional flow for optimum performance.
- Various end fittings such as flanges, stub ends and camlocks.
- 1.5"ID to 6"ID from 10' to 60' lengths.



Super Vac-U-Flex

- Grey, PVC hose for commercial or industrial vacuum cleaners and ventilating
- High-strength, fiber-reinforced cover with steel helix offers great flexibility.
- Temperature range -30°C to +65°C (-20°F to +150°F).
- 1.25"ID to 4"ID in 50' rolls (except 3" & 4" - 25') or cut to length.



Tan Bulkmaster

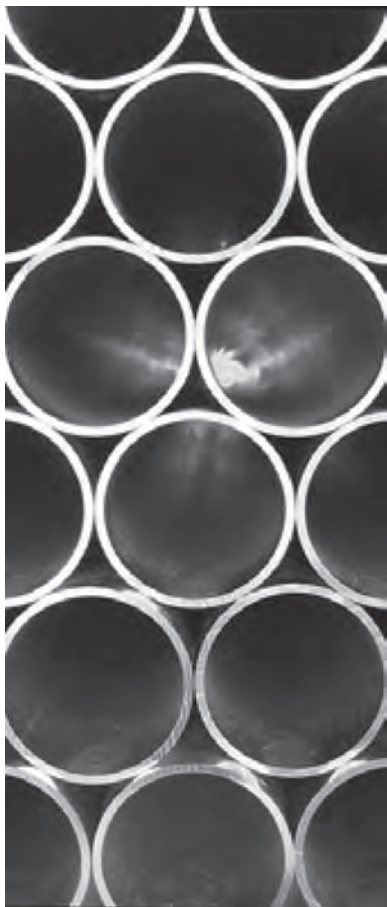
- Tan, weather-resistant, EPDM cover with steel helix.
- Smooth, abrasion-resistant, FDA-approved, rubber liner.
- Dry, abrasive materials such as corn, flour, sand, sugar, limestone powder and plastic pellets.
- Temperature range -32°C to +80°C (-25°F to +180°F).
- 2"ID to 6"ID in 100' rolls or cut to length.

Consult Factory For Other Types Of Hose Not Listed!

Tube & Pipe Straights

Aluminum • Carbon Steel • Stainless • Galvanized

*Most sizes are in stock
and ready to ship.*



Standard Tubing

O.D.	Wall	Aluminum	Carbon	Stainless	Galvanized*
1.5"	16 Gauge / .065" / 1/16"	1516AT	1516CT	1516ST	1516GT
1.75"	16 Gauge / .065" / 1/16"	17516AT	17516CT	17516ST	17516GT
2.0"	16 Gauge / .065" / 1/16"	216AT	216CT	216ST	216GT
2.0"	11 Gauge / .125" / 1/8"	n/a	211CT	211ST	211GT
2.125"	16 Gauge / .065" / 1/16"	n/a	212516CT	212516ST	212516GT
2.25"	16 Gauge / .065" / 1/16"	22516AT	22516CT	22516ST	22516GT
2.5"	16 Gauge / .065" / 1/16"	2516AT	2516CT	2516ST	2516GT
2.5"	11 Gauge / .125" / 1/8"	2511AT	2511CT	2511ST	2511GT
3.0"	16 Gauge / .065" / 1/16"	316AT	316CT	316ST	316GT
3.0"	11 Gauge / .125" / 1/8"	311AT	311CT	311ST	311GT
3.5"	16 Gauge / .065" / 1/16"	n/a	3516CT	3516ST	3516GT
3.5"	11 Gauge / .125" / 1/8"	3511AT	3511CT	3511ST	3511GT
4.0"	16 Gauge / .065" / 1/16"	416AT	416CT	416ST	416GT
4.0"	11 Gauge / .125" / 1/8"	411AT	411CT	411ST	411GT
4.5"	11 Gauge / .125" / 1/8"	4511AT	4511CT	4511ST	4511GT
5.0"	16 Gauge / .065" / 1/16"	n/a	516CT	516ST	516GT
5.0"	14 Gauge / .083" / 3/32"	n/a	514CT	514ST	514GT
5.0"	11 Gauge / .125" / 1/8"	511AT	511CT	511ST	511GT
6.0"	14 Gauge / .083" / 3/32"	n/a	614CT	614ST	614GT
6.0"	11 Gauge / .125" / 1/8"	611AT	611CT	611ST	611GT
7.0"	14 Gauge / .083" / 3/32"	n/a	714CT	n/a	714GT
8.0"	14 Gauge / .083" / 3/32"	n/a	814CT	814ST	814GT
8.0"	11 Gauge / .125" / 1/8"	811AT	811CT	811ST	811GT
10.0"	14 Gauge / .083" / 3/32"	n/a	1014CT	1014ST	1014GT
10.0"	11 Gauge / .125" / 1/8"	1011AT	n/a	1011ST	n/a
10.0"	10 Gauge / .134" / 9/64"	n/a	1010CT	n/a	n/a

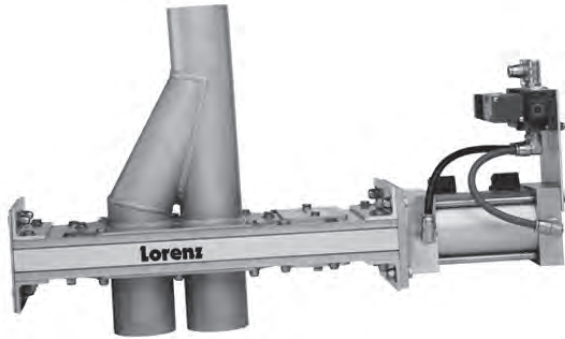
Standard Pipe

Common Name	Approx. Wall	O.D.	Aluminum	Carbon	Stainless	Galvanized*
1.25" Sch 40	.140"	1.66"	125S40AP	125S40CP	125S40SP	125S40GP
1.25" Sch 80	.191"	1.66"	125S80AP	125S80CP	125S80SP	125S80GP
1.5" Sch 40	.145"	1.9"	15S40AP	15S40CP	15S40SP	15S40GP
1.5" Sch 80	.200"	1.9"	15S80AP	15S80CP	15S80SP	15S80GP
2.0" Sch 10	.109"	2.375"	2S10AP	2S10CP	2S10SP	2S10GP
2.0" Sch 40	.154"	2.375"	2S40AP	2S40CP	2S40SP	2S40GP
2.0" Sch 80	.218"	2.375"	2S80AP	2S80CP	2S80SP	2S80GP
2.5" Sch 10	.120"	2.875"	25S10AP	25S10CP	25S10SP	25S10GP
2.5" Sch 40	.203"	2.875"	25S40AP	25S40CP	25S40SP	25S40GP
2.5" Sch 80	.276"	2.875"	25S80AP	25S80CP	25S80SP	25S80GP
3.0" Sch 10	.120"	3.5"	3S10AP	3S10CP	3S10SP	3S10GP
3.0" Sch 40	.216"	3.5"	3S40AP	3S40CP	3S40SP	3S40GP
3.0" Sch 80	.300"	3.5"	3S80AP	3S80CP	3S80SP	3S80GP
3.5" Sch 10	.120"	4.0"	35S10AP	35S10CP	35S10SP	35S10GP
3.5" Sch 40	.226"	4.0"	35S40AP	35S40CP	35S40SP	35S40GP
3.5" Sch 80	.318"	4.0"	35S80AP	35S80CP	35S80SP	35S80GP
4.0" Sch 10	.120"	4.5"	4S10AP	4S10CP	4S10SP	4S10GP
4.0" Sch 40	.237"	4.5"	4S40AP	4S40CP	4S40SP	4S40GP
4.0" Sch 80	.337"	4.5"	4S80AP	4S80CP	4S80SP	4S80GP
5.0" Sch 10	.134"	5.563"	5S10AP	5S10CP	5S10SP	5S10GP
5.0" Sch 40	.258"	5.563"	5S40AP	5S40CP	5S40SP	5S40GP
5.0" Sch 80	.375"	5.563"	5S80AP	5S80CP	5S80SP	5S80GP
6.0" Sch 10	.134"	6.625"	6S10AP	6S10CP	6S10SP	6S10GP
6.0" Sch 40	.280"	6.625"	6S40AP	6S40CP	6S40SP	6S40GP
6.0" Sch 80	.432"	6.625"	6S80AP	6S80CP	6S80SP	6S80GP
8.0" Sch 10	.148"	8.625"	8S10AP	8S10CP	8S10SP	8S10GP
8.0" Sch 40	.322"	8.625"	8S40AP	8S40CP	8S40SP	8S40GP
8.0" Sch 80	.500"	8.625"	8S80AP	8S80CP	8S80SP	8S80GP

* Contact factory for galvanized options

2 Way Diverter Valves - Series "D"

Straight Configuration - ST



Wye Configuration - Y



Available in sizes from 2" up to 12"

Pneumatic actuated 2 Way Diverter Valve for vacuum or low pressure* conveying systems

Inlets & Outlets available in Tube & Pipe sizes in Stainless Steel, Aluminum & Carbon Steel

*(Dilute phase up to 15 psig max.)

Standard Features

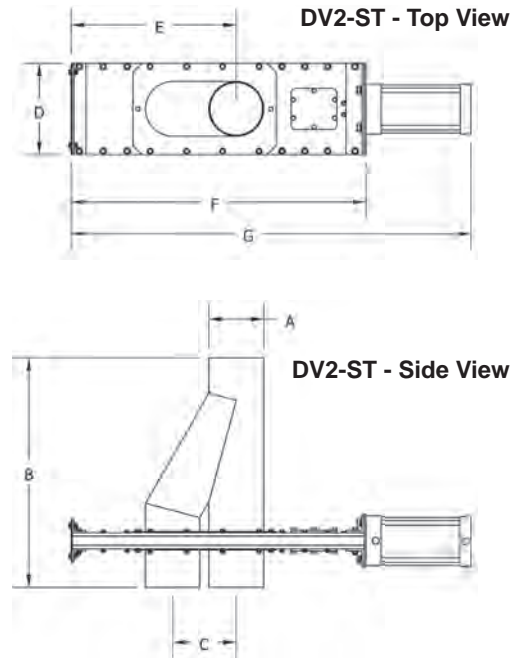
- Positive Blade Lock (PBL) between blade & cylinder rod
 - Internal magnetic piston, cushioned air cylinder
- Polished stainless steel blade • Active Compression Seals (ACS)
- Light weight aluminum body construction • Temperature rated for up to 82° C (180° F)
 - Ceramic Lined or Ceram Wrapped inlets/outlets
- Wall thickness of 16, 14, & 11 gauge, schedule 10, 40 & 80
 - Fully tested prior to shipping

2 Way Diverter Valves - Series "D"

DV2									
Size	A	B(ST)	C	D	E (ST)	F	G	H(Y)	I(Y)
150	1.50	13.70	2.50	5.00	6.88	14.00	20.25	11.27	5.63
200	2.00	13.70	2.50	5.00	6.88	14.00	20.75	11.53	5.63
225	2.25	15.70	3.50	6.00	9.40	18.38	26.13	12.03	7.65
2375	2.38	18.10	3.50	6.00	9.44	18.38	26.13	15.15	7.69
250	2.50	15.65	3.50	6.00	9.44	18.38	26.13	12.03	7.69
2875	2.88	16.50	3.50	6.00	9.44	18.38	26.13	15.15	7.69
300	3.00	15.53	3.50	6.00	9.44	18.38	26.13	12.62	7.69
350	3.50	23.53	5.00	7.00	12.88	23.63	32.88	18.37	10.38
400	4.00	19.53	5.00	7.00	12.88	23.63	32.88	14.46	10.38
450	4.50	25.15	6.00	9.00	15.88	28.56	39.06	19.78	12.88
500	5.00	22.65	6.00	9.00	15.88	28.56	39.06	18.38	12.88
5563	5.56	27.15	7.00	10.00	18.13	31.30	41.80	21.28	14.63
600	6.00	25.15	7.00	10.00	18.13	32.30	43.80	19.77	14.63
6625	6.63	26.90	10.00	11.00	26.50	44.90	59.40	22.40	21.50
800	8.00	32.15	10.00	12.00	25.84	44.30	58.80	28.15	20.84
8625	8.63	32.78	12.00	14.00	30.50	51.70	68.70	27.91	24.50
1000	10.00	38.50	14.00	15.75	35.25	59.30	78.30	31.28	28.25
1075	10.75	38.50	14.00	15.75	35.25	59.30	78.30	32.03	28.25
1200	12.00	42.70	17.00	16.50	41.31	68.75	90.75	33.91	32.81

All dimensions approximate and subject to change

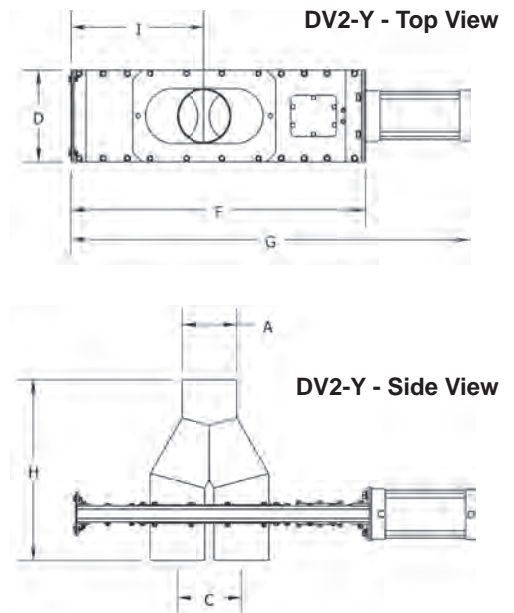
Straight Configuration - ST



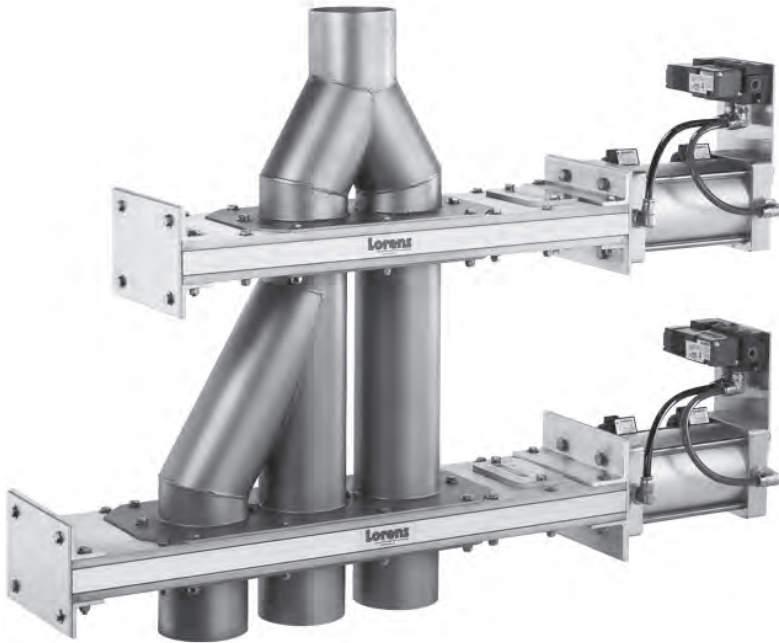
Options

- Position switches 5 volt to 240 volt AC/DC
- Manual hand crank, hand wheel or chain wheel operation
- Proximity switches
- Special seal configurations
- Oversized cylinders
- Solenoids 110 volt AC or 24 volt DC
- Valve body sealed for air purging
- NEMA 7-9 hazardous locations
- Inlets/outlets - straight or flanged ends
- Double acting or single acting spring return solenoid or manual lever valve
- High temperature modifications
- Electric actuation
- Prewired terminal boxes
- Abrasion resistant options available

Wye Configuration - Y



3 Way Diverter Valves - Series "D"



**Pneumatic actuated
3 Way Diverter Valve for
vacuum or low pressure*
conveying systems**

**Available in sizes from
2" up to 8"**

**Inlets & Outlets available in Tube & Pipe sizes
in Stainless Steel, Aluminum & Carbon Steel**

*(Dilute phase up to 15 psig max.)

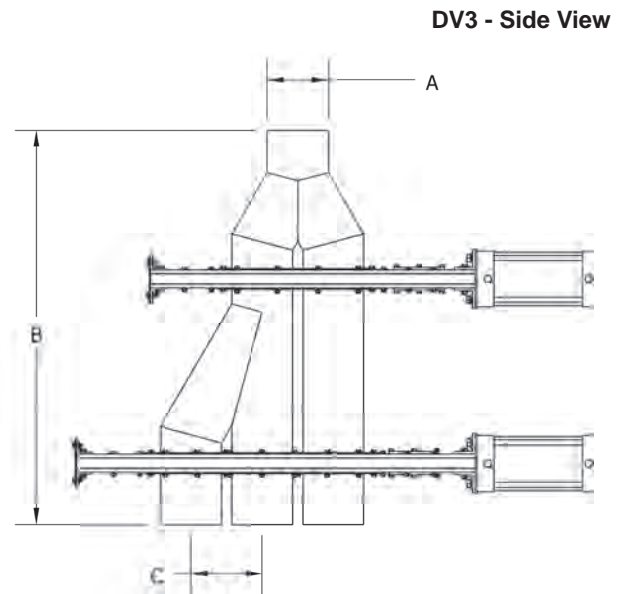
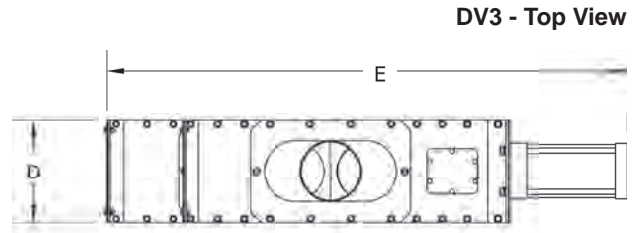
Standard Features

- Positive Blade Lock (PBL) between blade & cylinder rod
 - Internal magnetic piston, cushioned air cylinder
- Polished stainless steel blade • Active Compression Seals (ACS)
- Light weight aluminum body construction • Temperature rated for up to 82° C (180° F)
 - Ceramic Lined or Ceram Wrapped inlets/outlets
- Wall thickness of 16, 14, & 11 gauge, schedule 10, 40 & 80
 - Fully tested prior to shipping

3 Way Diverter Valves - Series "D"

DV3					
SIZE	A	B	C	D	E
150	1.50	19.17	2.50	5.00	23.63
200	2.00	19.43	2.50	5.00	23.63
225	2.25	21.91	3.50	6.00	29.75
2375	2.38	25.15	3.50	6.00	29.75
250	2.50	22.03	3.50	6.00	29.75
2875	2.88	25.15	3.50	6.00	29.75
300	3.00	23.50	3.50	6.00	29.75
350	3.50	31.89	5.00	7.00	38.25
400	4.00	27.61	5.00	7.00	38.06
450	4.50	34.81	6.00	9.00	47.31
500	5.00	33.40	6.00	9.00	47.31
5563	5.56	39.43	7.00	10.00	51.19
600	6.00	38.90	7.00	10.00	51.19
6625	6.63	39.87	10.00	11.00	68.06
800	8.00	46.62	10.00	12.00	68.62
8625	8.63	51.28	12.00	14.00	80.28

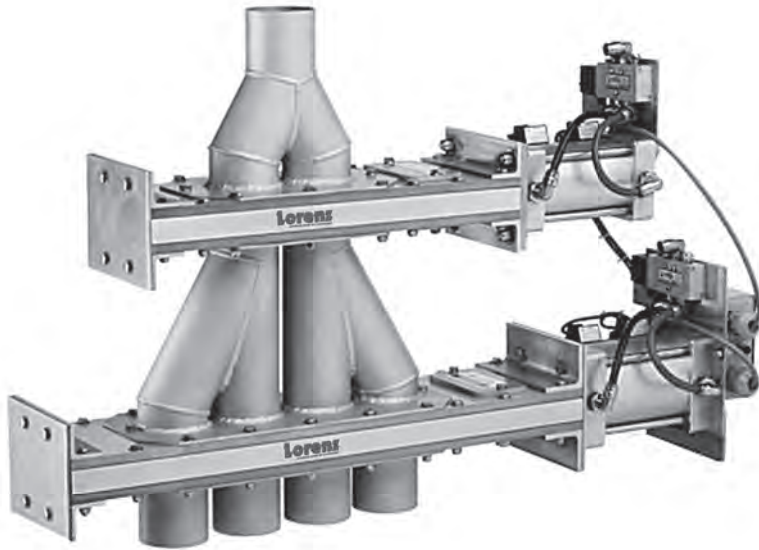
All dimensions approximate and subject to change



Options

- Position switches 5 volt to 240 volt AC/DC
- Proximity switches
- Oversized cylinders
- Valve body sealed for air purging
- Inlets/outlets - straight or flanged ends
- High temperature modifications
- Electric actuation
- Abrasion resistant options available
- Manual hand crank operation
- Special seal configurations
- Solenoids 110 volt AC or 24 volt DC
- NEMA 7-9 hazardous locations
- Double acting or single acting spring return solenoid or manual lever valve
- Prewired terminal boxes

4 Way Diverter Valves - Series "D"



**Pneumatic actuated
4 Way Diverter Valve for
vacuum or low pressure*
conveying systems**

**Available in sizes from
2" up to 8"**

**Inlets & Outlets available in Tube & Pipe sizes
in Stainless Steel, Aluminum & Carbon Steel**

*(Dilute phase up to 15 psig max.)

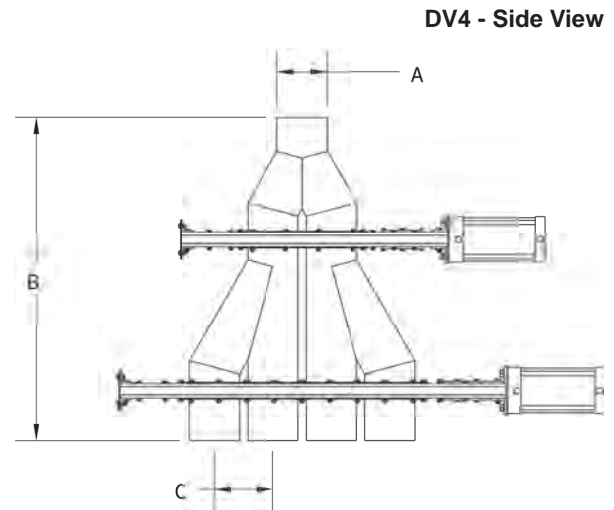
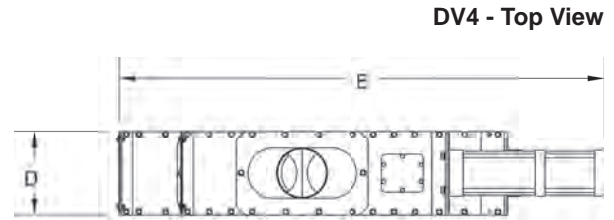
Standard Features

- Positive Blade Lock (PBL) between blade & cylinder rod
 - Internal magnetic piston, cushioned air cylinder
- Polished stainless steel blade • Active Compression Seals (ACS)
- Light weight aluminum body construction • Temperature rated for up to 82° C (180° F)
 - Ceramic Lined or Ceram Wrapped inlets/outlets
- Wall thickness of 16, 14, & 11 gauge, schedule 10, 40 & 80
 - Fully tested prior to shipping

4 Way Diverter Valves - Series "D"

DV4					
SIZE	A	B	C	D	E
200	2.00	19.43	2.50	5.00	26.13
225	2.25	21.94	3.50	6.00	33.25
2375	2.38	25.18	3.50	6.00	33.25
250	2.50	22.02	3.50	6.00	33.25
2875	2.88	25.06	3.50	6.00	33.25
300	3.00	23.40	3.50	6.00	33.25
350	3.50	31.89	5.00	7.00	43.38
400	4.00	27.61	5.00	7.00	43.38
450	4.50	34.81	6.00	9.00	51.19
500	5.00	33.40	6.00	9.00	51.19
5563	5.56	39.43	7.00	10.00	58.06
600	6.00	38.92	7.00	10.00	58.19
6625	6.63	39.81	10.00	11.00	77.19
800	8.00	46.62	10.00	12.00	78.50
8625	8.63	51.28	12.00	14.00	92.00

All dimensions approximate and subject to change



Options

- Position switches 5 volt to 240 volt AC/DC
- Proximity switches
- Oversized cylinders
- Valve body sealed for air purging
- Inlets/outlets - straight or flanged ends
- High temperature modifications
- Electric actuation
- Abrasion resistant options available
- Manual hand crank operation
- Special seal configurations
- Solenoids 110 volt AC or 24 volt DC
- NEMA 7-9 hazardous locations
- Double acting or single acting spring return solenoid or manual lever valve
- Prewired terminal boxes

2 Way Slideflex Diverter Valve - Series "P"



Pneumatic actuated Flex Valve for vacuum or low pressure* conveying systems where eliminating cross contamination is critical

Available in sizes from 2" up to 8" OD

Available with Food Grade Rubber or Stainless Steel hose

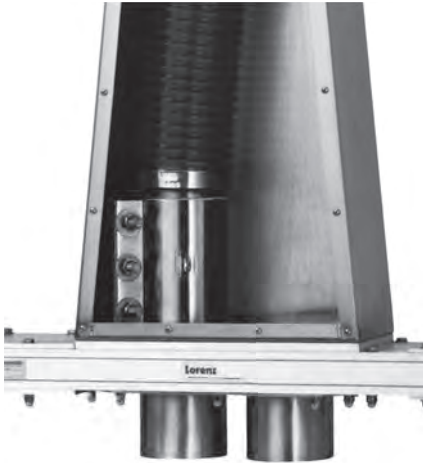
Inlets & Outlets available in Tube & Pipe sizes in Stainless Steel

*(Dilute phase up to 15 psig max.)

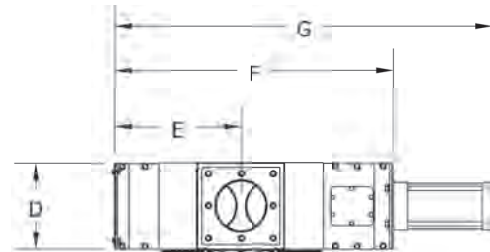
Standard Features

- Oversized cylinders
- Positive Blade Lock (PBL) between blade & cylinder rod
- Internal magnetic piston, cushioned air cylinder
- Polished stainless steel blade • Active Compression Seals (ACS)
- Light weight aluminum body construction • Temperature rated for up to 82° C (180° F)
- Wall thickness of 16, 14, & 11 gauge, schedule 10, 40 & 80
- Fully tested prior to shipping

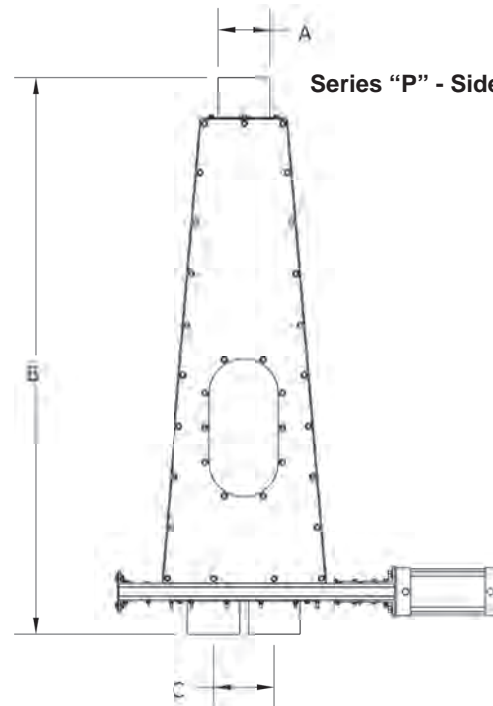
2 Way Slideflex Diverter Valve - Series "P"



Series "P" - Top View



Series "P" - Side View



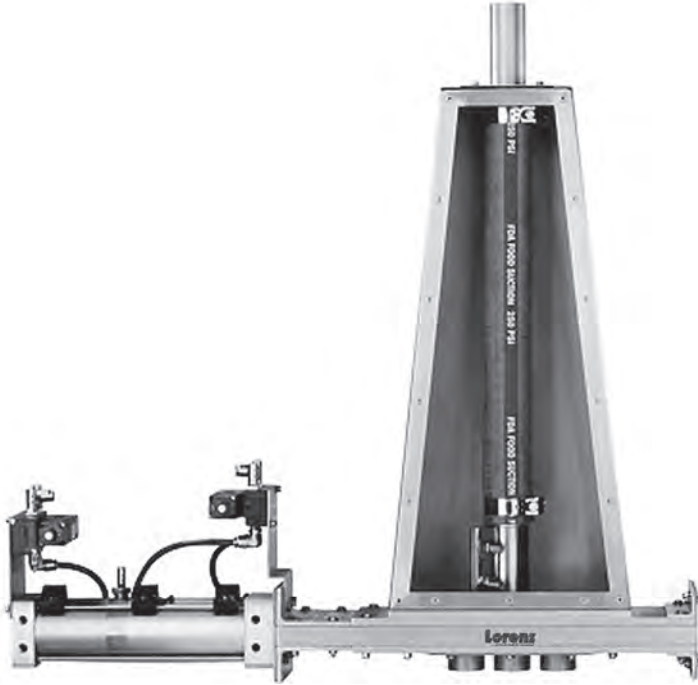
SF2							
Size	A	B	C	D	E	F	G
200	2.00	34.33	2.50	5.00	5.82	14.19	20.94
225	2.25	39.25	3.50	6.00	7.65	18.38	26.13
2375	2.38	39.25	3.50	6.00	7.65	18.38	26.13
250	2.50	39.13	3.50	6.00	7.66	18.38	26.13
2875	2.88	39.18	3.50	6.00	7.73	18.38	26.13
300	3.00	39.50	3.50	6.00	7.72	18.38	26.13
350	3.50	48.06	5.00	7.00	10.43	23.63	32.88
400	4.00	48.06	5.00	7.00	10.43	23.63	32.88
450	4.50	52.90	6.00	9.00	12.89	28.56	39.06
500	5.00	53.02	6.00	9.00	12.91	28.56	39.06
5563	5.56	65.14	7.00	10.00	14.64	32.31	43.81
600	6.00	64.65	7.00	10.00	14.60	32.31	43.81
6625	6.63	75.18	10.00	11.00	21.47	44.90	59.44
800	8.00	77.37	10.00	12.00	20.81	44.31	58.81

All dimensions approximate and subject to change

Options

- Position switches 5 volt to 240 volt AC/DC
- Proximity switches
- Inlets/outlets - straight or flanged ends
- High temperature modifications
- Electric actuation
- Stainless Steel Hose (maximum 6")
- Prewired terminal boxes
- Manual hand crank, hand wheel or chain wheel operation
- Special seal configurations
- Solenoids 110 volt AC or 24 volt DC
- NEMA 7-9 hazardous locations
- Double acting or single acting spring return solenoid or manual lever valve

3 Way Slideflex Diverter Valve - Series "P"



**Pneumatic actuated Flex Valve
for vacuum or low pressure*
conveying systems**

**Available in sizes from
2" up to 8" OD**

**Available with Food
Grade Rubber or
Stainless Steel hose**

**Inlets & Outlets available in
Tube & Pipe sizes in Stainless Steel**

*(Dilute phase up to 15 psig max.)

Standard Features

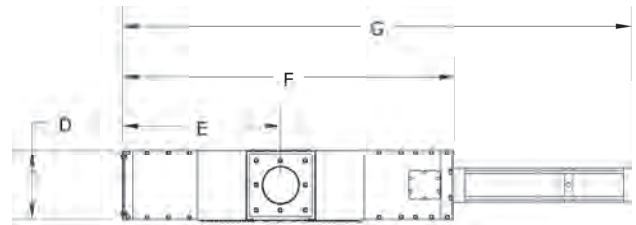
- Oversized cylinders
- Positive Blade Lock (PBL) between blade & cylinder rod
- Internal magnetic piston, cushioned air cylinder
- Polished stainless steel blade • Active Compression Seals (ACS)
- Light weight aluminum body construction • Temperature rated for up to 82° C (180° F)
- Wall thickness of 16, 14, & 11 gauge, schedule 10, 40 & 80
- Fully tested prior to shipping

3 Way Slideflex Diverter Valve - Series "P"

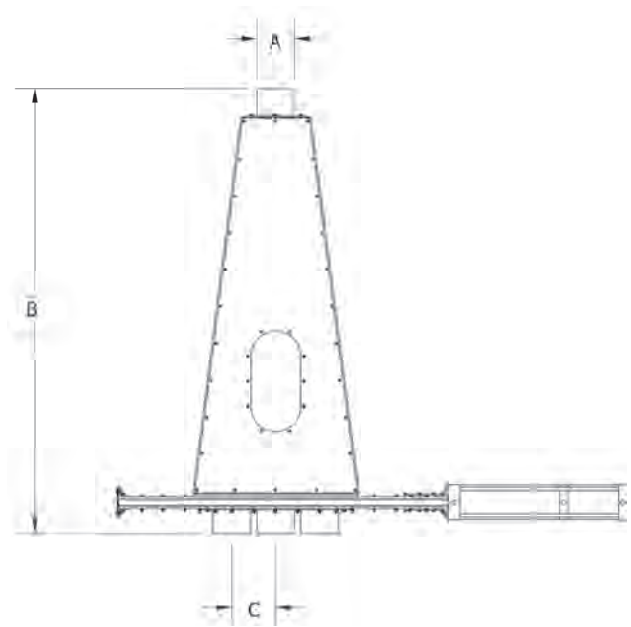
SF3							
Size	A	B	C	D	E	F	G
200	2.00	38.21	2.50	6.00	10.00	22.88	37.13
225	2.25	49.21	3.50	7.00	13.03	28.69	45.94
2375	2.38	49.21	3.50	7.00	13.03	28.67	45.90
250	2.50	49.21	3.50	7.00	13.03	28.67	45.90
2875	2.88	48.21	3.50	7.00	12.97	28.69	45.94
300	3.00	48.21	3.50	7.00	12.97	28.68	45.94
350	3.50	59.77	5.00	9.00	18.76	40.19	62.44
400	4.00	58.27	5.00	9.00	18.77	40.19	62.44
450	4.50	66.12	6.00	9.00	22.02	46.69	71.94
500	5.00	65.12	6.00	9.00	21.95	46.69	71.94
5563	5.56	72.18	7.00	11.00	25.28	53.02	81.27
600	6.00	71.31	7.00	11.00	25.25	53.02	81.27
6625	6.63	87.94	7.25	11.00	25.31	53.81	82.81
800	8.00	86.87	10.00	12.00	35.86	74.25	112.25

All dimensions approximate and subject to change

Series "P" - Top View



Series "P" - Side View



Options

- Position switches 5 volt to 240 volt AC/DC
- Proximity switches
- Inlets/outlets - straight or flanged ends
- High temperature modifications
- Stainless steel hose (maximum 6")
- Electric actuator
- Solenoids 110 volt AC or 24 volt DC
- NEMA 7-9 hazardous locations
- Double acting or single acting spring return solenoid or manual lever valve
- Prewired terminal boxes

Series "E" Slide Gate

Pneumatic actuated Slide Gate for vacuum, low pressure (dilute phase)* and gravity conveying systems

"TPS" - Tube & Pipe Stubs

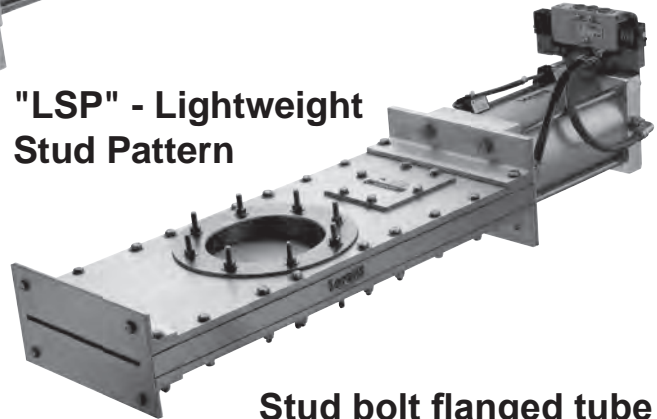


**Tube & Pipe Stubs for
compression couplings**

**Pneumatic actuated Slide Gate
for vacuum, low pressure* and
gravity conveying systems**

*(Dilute phase up to 15 psig max.)

"LSP" - Lightweight Stud Pattern



**Stud bolt flanged tube
connection for light duty
applications**

Standard Features

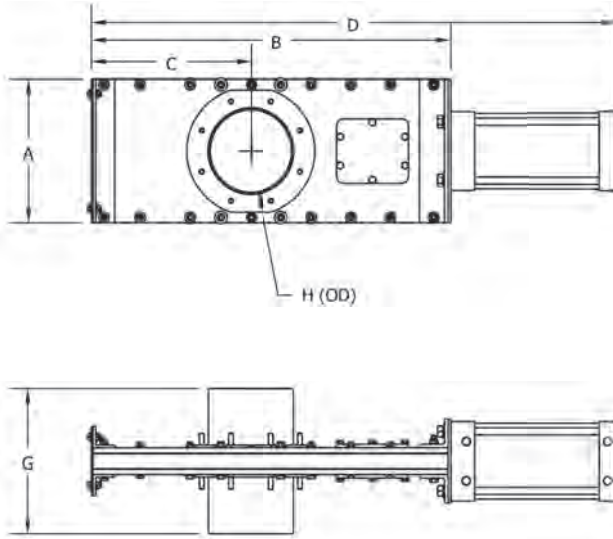
- Positive Blade Lock (PBL) between blade & cylinder rod
 - Internal magnetic piston, cushioned air cylinder
- Polished stainless steel blade • Active Compression Seals (ACS)
- Light weight aluminum body construction • Temperature rated for up to 82° C (180° F)
- Wall thickness of 16, 14, & 11 gauge, schedule 10, 40 & 80
 - Fully tested prior to shipping

Options

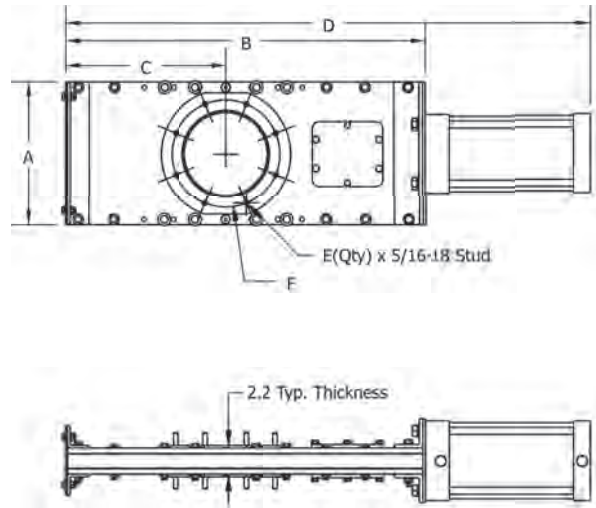
- Position switches 5 volt to 240 volt AC/DC
- Proximity switches
- Oversized cylinders
- Valve body sealed for air purging
- High temperature modifications
- Manual hand crank, hand wheel or chain wheel operation
- Prewired terminal boxes
- Special seal configurations
- Solenoids 110 volt AC or 24 volt DC
- Double acting or single acting spring return solenoid or manual lever valve
- NEMA 7-9 hazardous locations
- Electric actuation
- Special service inlet

Series "E" Slide Gate

"TPS" - Tube & Pipe Stubs



"LSP" - Lightweight Stud Pattern



LSP/TPS								
SG2- SIZE	A	B	C	D	E (Qty) x 5/16-18 (LSP)	F	G(TPS)	H
150	5.00	11.75	4.69	17.97	4.0	3.88	8.06	1.50
200	5.00	11.72	4.69	17.97	4.0	3.88	8.06	2.00
225	6.00	14.47	5.75	21.72	4.0	3.88	8.06	2.50
2375	6.00	14.47	5.75	21.72	4.0	3.88	8.06	2.38
250	6.00	14.47	5.75	21.72	4.0	3.88	8.06	2.50
2875	6.00	14.47	5.75	21.72	4.0	3.88	8.06	2.88
300	6.00	14.63	5.88	21.88	4.0	5.00	8.06	3.00
350	7.00	18.62	7.87	27.87	4.0	5.00	12.06	3.50
400	7.00	18.62	7.87	27.87	6.0	5.50	8.06	4.00
450	9.00	21.06	8.50	30.81	6.0	5.50	10.06	4.50
500	9.00	23.25	10.16	34.00	8.0	6.50	10.06	5.00
5563	9.00	23.25	10.16	34.00	8.0	6.50	10.06	5.56
600	10.00	25.06	11.13	35.56	8.0	7.50	10.06	6.00
6625	10.00	26.78	12.00	38.78	8.0	7.50	14.06	6.63
800	12.00	31.06	14.13	44.56	8.0	9.50	18.06	8.00
8625	12.00	31.69	14.44	45.19	8.0	9.50	18.06	8.63
1000	14.00	37.56	17.38	53.06	8.0	11.50	18.06	10.00
1075	16.00	44.47	21.00	60.97	8.0	11.50	18.06	10.75
1200	16.00	44.72	21.00	62.22	12.0	13.81	18.06	12.00
1275	16.00	46.72	22.00	65.22	12.0	13.81	18.06	12.75
1400	18.00	50.25	23.78	69.75	12.0	16.00	18.06	14.00

All dimensions approximate and subject to change

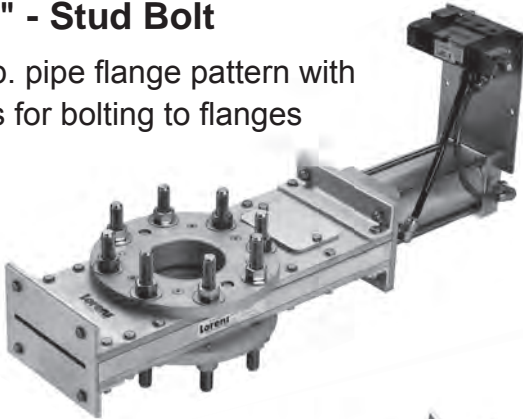
All dimensions in inches

Series "E" Slide Gate

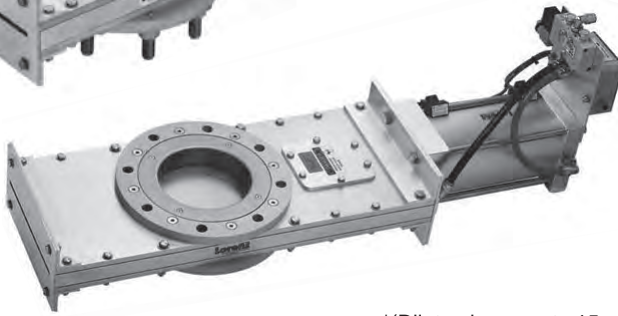
Pneumatic actuated Slide Gate for vacuum, low pressure (dilute phase)* and gravity conveying systems

"SB" - Stud Bolt

150lb. pipe flange pattern with studs for bolting to flanges



"BTV" - Bolt Through Valve



"BBH" - Blind Bolt Hole

150lb. pipe flange pattern with tapped holes for mounting between flanges

*(Dilute phase up to 15 psig max.)

Standard Features

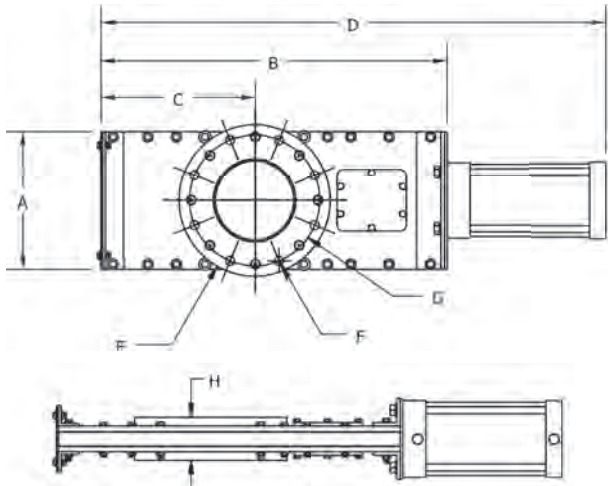
- Positive Blade Lock (PBL) between blade & cylinder rod
 - Internal magnetic piston, cushioned air cylinder
- Polished stainless steel blade • Active Compression Seals (ACS)
- Light weight aluminum body construction • Temperature rated for up to 82° C (180° F)
- Wall thickness of 16, 14, & 11 gauge, schedule 10, 40 & 80
 - Fully tested prior to shipping

Options

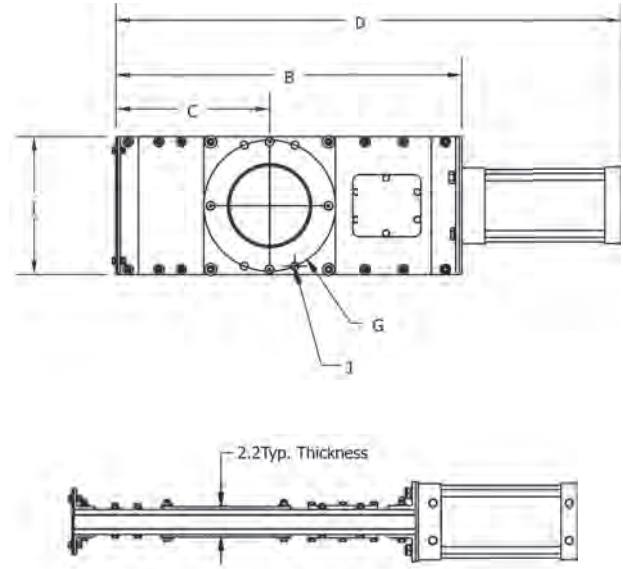
- Position switches 5 volt to 240 volt AC/DC
- Proximity switches
- Oversized cylinders
- Valve body sealed for air purging
- High temperature modifications
- Manual hand crank, hand wheel or chain wheel operation
- Prewired terminal boxes
- Special seal configurations
- Solenoids 110 volt AC or 24 volt DC
- Double acting or single acting spring return solenoid or manual lever valve
- NEMA 7-9 hazardous locations
- Electric actuation
- Special service inlet

Series "E" Slide Gate

**"BBH" - Blind Bolt Hole
& "SB" - Stud Bolt**



"BTV" - Bolt Through Valve



BBH/SB/BTV										
SG2- SIZE	A	B	C	D	E	F	G	H	I	J
150	5.00	11.75	4.69	17.97	5.00	4x1/2-13	3.88	3.10	4.63	2 x 0.44
200	5.00	11.72	4.69	17.97	6.00	4x5/8-11	4.75	3.10	5.50	2 x 0.44
225	6.00	14.47	5.75	21.72	6.00	4x5/8-11	4.75	3.10	5.50	2 x 0.44
2375	6.00	14.47	5.75	21.72	6.00	4x5/8-11	4.75	3.10	5.50	2 x 0.44
250	6.00	14.47	5.75	21.72	7.00	4x5/8-11	5.50	3.10	6.25	2 x 0.44
2875	6.00	14.47	5.75	21.72	7.00	4x5/8-11	5.50	3.10	6.25	2 x 0.44
300	6.00	14.63	5.88	21.88	7.50	4x5/8-11	6.00	3.10	6.75	2 x 0.44
350	7.00	18.62	7.87	27.87	7.50	4x5/8-11	6.00	3.10	6.75	2 x 0.44
400	7.00	18.62	7.87	27.87	9.00	8x5/8-11	7.50	3.10	7.50	4 x 0.44
450	9.00	21.06	8.50	30.81	9.00	8x5/8-11	7.50	3.10	7.50	4 x 0.56
500	9.00	23.25	10.16	34.00	10.00	8x3/4-10	8.50	3.10	9.00	4 x 0.56
5563	9.00	23.25	10.16	34.00	10.00	8x3/4-10	8.50	3.10	9.00	4 x 0.56
600	10.00	25.06	11.13	35.56	11.00	8x3/4-10	9.50	3.10	10.00	4 x 0.56
6625	10.00	26.78	12.00	38.78	11.00	8x3/4-10	9.50	3.10	10.00	4 x 0.56
800	12.00	31.06	14.13	44.56	13.50	8x3/4-10	11.75	3.10	12.00	4 x 0.56
8625	12.00	31.69	14.44	45.19	13.50	8x3/4-10	11.75	3.10	12.00	4 x 0.56
1000	14.00	37.56	17.38	53.06	16.00	12x3/4-10	14.25	3.31	14.75	4 x 0.56
1075	16.00	44.47	21.00	60.97	16.00	12x7/8-9	14.25	3.31	14.75	4 x 0.56
1200	16.00	44.72	21.00	62.22	19.00	12x7/8-9	17.00	3.31	17.50	4 x 0.56
1275	16.00	46.72	22.00	65.22	19.00	12x7/8-9	17.00	3.31	17.50	4 x 0.56
1400	18.00	50.25	23.78	69.75	21.00	12x1-8	18.75	3.31	19.00	4 x 0.56

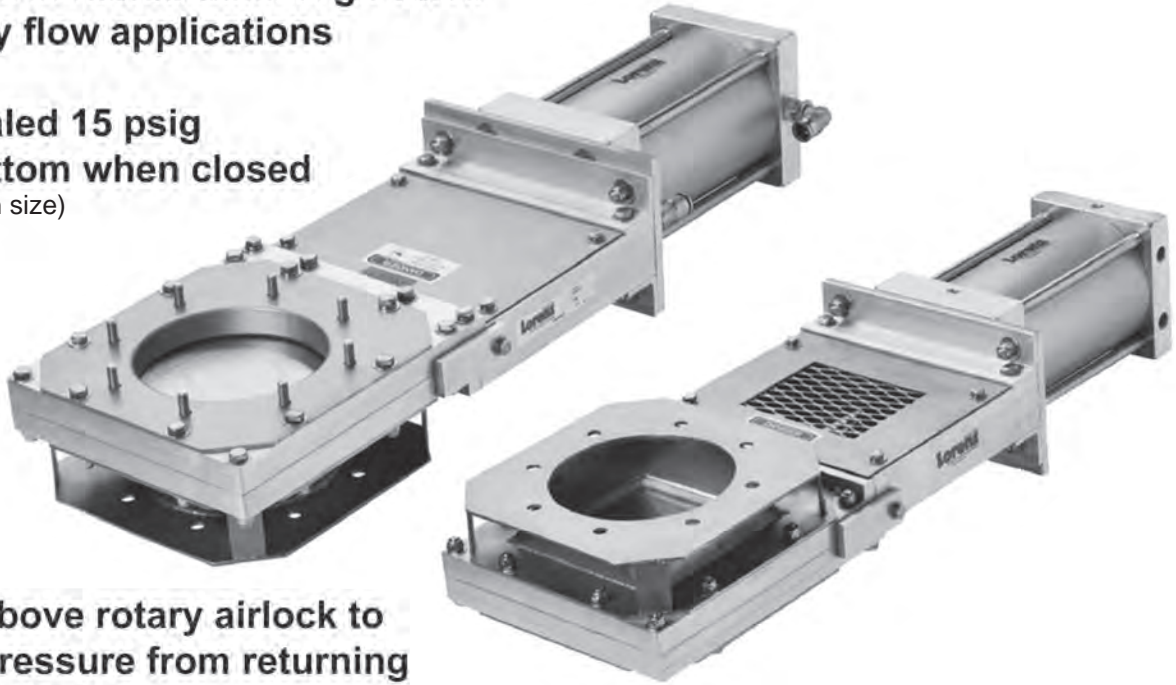
All dimensions approximate and subject to change

All dimensions in inches

Discharge Valve - Series "H"

**Pneumatic actuated discharge valve
for gravity flow applications**

**Blade sealed 15 psig
top to bottom when closed**
(Dependant on size)



**For use above rotary airlock to
prevent pressure from returning
to hopper above**

For applications requiring higher cycle frequencies

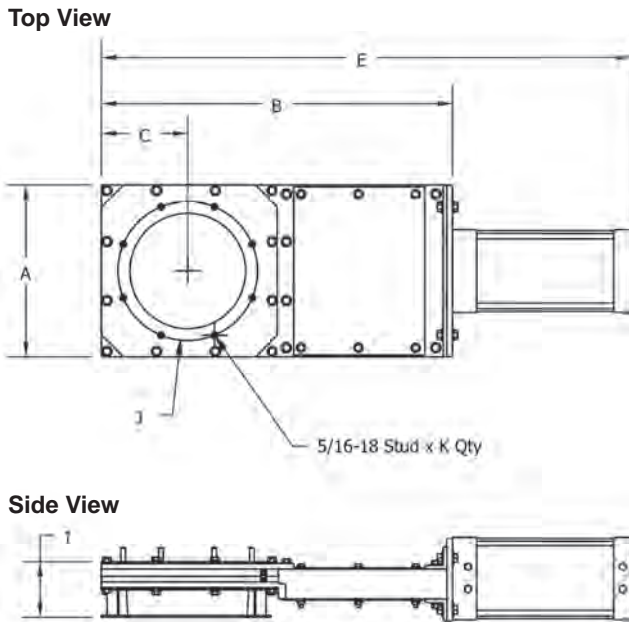
Minimizes packing, shearing & material build up

Standard Features

- Positive Blade Lock (PBL) between blade & cylinder rod
 - NEMA 4 watertight & dust tight electrics
 - Active Compression Seals (ACS)
 - Heavy duty 3/16" 304 stainless steel blade
- Temperature rated for up to 120° C (250° F) • Mounts horizontally
- Built-in scrapers remove material • 304 stainless steel contact points
- Oversized, internal magnetic piston, cushioned air cylinder standard
 - Fully tested prior to shipping

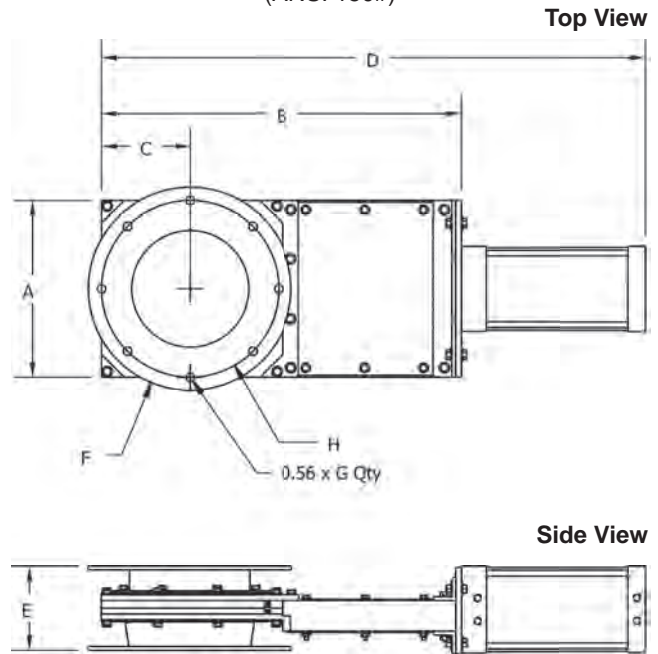
Discharge Valve - Series "H"

Lightweight Stud Pattern Connection



Pipe Flange Bolt Pattern Connection

(ANSI 150#)



DCV											
Size	A	B	C	D	E	F	G	H	I	J	K
6	9.50	19.69	4.75	30.50	5.50	11.00	8	9.50	3.75	7.50	8
8	11.75	23.94	5.88	37.00	5.50	13.50	8	11.75	3.75	9.50	8
10	13.75	27.75	6.88	42.75	6.00	16.00	12	14.25	4.50	11.50	8
12	15.75	32.19	7.88	49.75	6.88	19.00	12	17.00	5.13	13.81	12
14	17.75	36.19	8.88	55.75	7.38	21.00	12	18.75	5.88	15.81	12
16	19.75	39.75	9.88	61.25	7.88	23.50	16	21.25	6.38	18.00	16

All dimensions approximate and subject to change

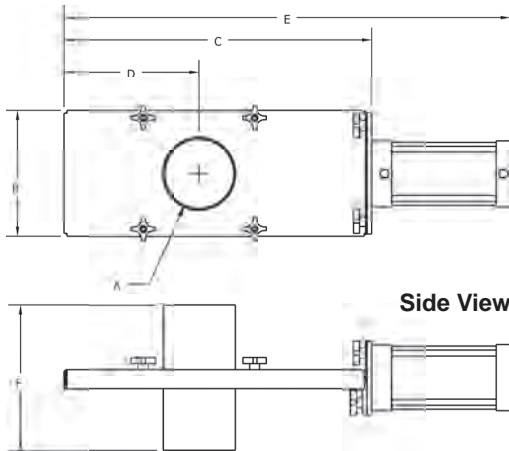
Options

- Position switches 5 volt to 240 volt AC/DC
- Pre-wired terminal boxes
- Valve body sealed for air purging
- Electric actuator
- Solenoids 110 volt AC or 24 volt DC
- Tube stub adapters
- NEMA 7-9 hazardous locations
- Special service inlet

Easy Clean Slide Gate - Series "K"



Top View



Side View

EZC						
Size	A	B	C	D	E	F
200	2.00	5.50	12.63	4.75	19.38	8.00
250	2.50	6.50	14.30	5.97	22.10	8.00
300	3.00	6.50	14.30	5.97	22.10	8.00
400	4.00	7.50	19.05	9.25	27.55	12.00
500	5.00	9.50	24.12	10.25	34.63	12.00
600	6.00	10.50	11.25	25.63	37.12	12.00
800	8.00	12.75	31.75	14.19	42.25	18.00

All dimensions approximate and subject to change

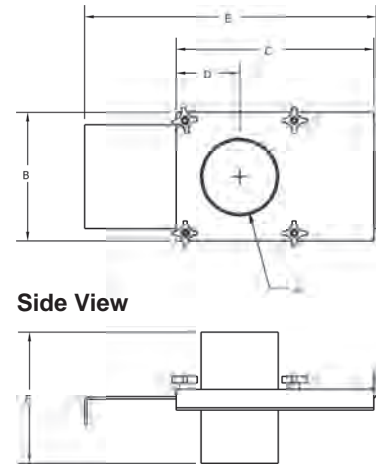
Standard Features

- Aluminum Air Cylinder with Internal Magnetic Piston
- Temperature rated up to 82° C (180° F)
- Fully tested prior to shipping

- Easy and Quick Disassembly without tools for cleaning
- For Gravity Feed Applications
- Tube Stub Connection for Compression Couplings or Light-weight Stud Pattern
- Pneumatic or Manual Actuated
- 304 Stainless Steel Construction with UHMW pressure plates
- Sizes: 2 inch to 8 inch Tube Diameter



Top View



Side View

EZCPP						
Size	A	B	C	D	E	F
200	2.00	5.50	5.62	2.00	9.00	8.00
250	2.50	6.50	8.08	2.00	12.45	8.00
300	3.00	6.50	8.08	2.00	12.45	8.00
400	4.00	8.12	10.50	3.00	15.88	10.25
500	5.00	9.12	12.98	4.00	19.36	10.25
600	6.00	10.12	15.50	5.00	22.88	10.25
800	8.00	12.75	20.31	7.00	29.69	10.25

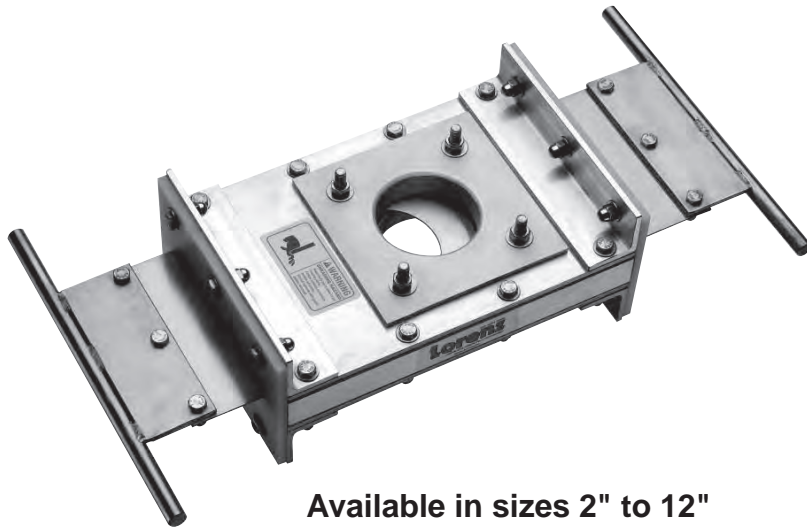
All dimensions approximate and subject to change

Options

- Position Switches
- PET, Teflon Pressure Plates
- Sanitary Ferrule Connection
- 316 Stainless Steel Construction
- Manual Push/Pull Actuation

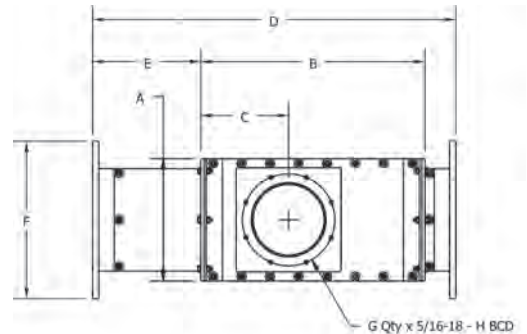
Push-Pull Slide Gate - Series "E"

For Gravity Flow Applications and Vacuum

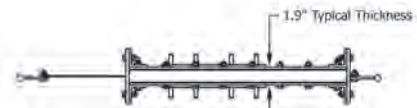


Available in sizes 2" to 12"

LSP Flanged
Top View



Side View



SGPP											
Size	A	B	C	D	E	F	G (qty) x 5/16-18	H	I	J (qty) x . 563Ø	K
200	5.50	8.75	3.88	16.25	4.89	8.63	4	3.88	5.50	2	4.75
300	7.00	10.88	4.63	19.25	5.83	10.13	4	5.00	6.75	2	6.00
400	8.00	13.00	5.00	22.50	7.00	11.13	6	5.50	7.68	4	7.50
500	7.50	16.63	6.00	27.13	8.00	12.13	8	6.50	8.60	4	8.50
600	10.00	18.25	7.13	29.75	9.00	12.88	8	7.50	9.53	4	9.50
800	12.00	22.13	8.00	35.63	11.00	14.88	8	9.50	11.63	4	11.75
1000	14.00	26.25	9.00	41.90	13.00	16.88	8	11.50	14.50	4	14.25
1200	16.00	30.13	10.00	47.63	15.00	18.88	12	13.81	17.42	4	17.00

All dimensions approximate and subject to change

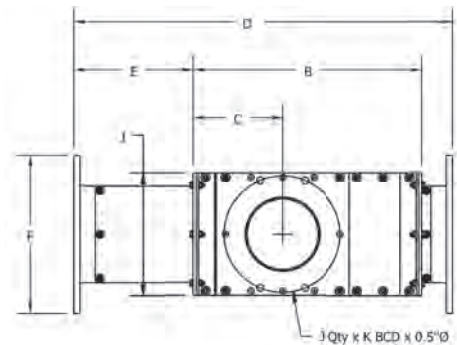
Standard Features

- Stainless steel material contact points
 - Dust tight seals
- Lightweight aluminum frame, corrosion resistant
 - Rated for 82° (180°F)

Options

- 316 stainless material contact
- High temperature service
 - Tube stub adapters
 - Special service inlet

Bolt Thru Pipe Flange Connection
Top View



Side View

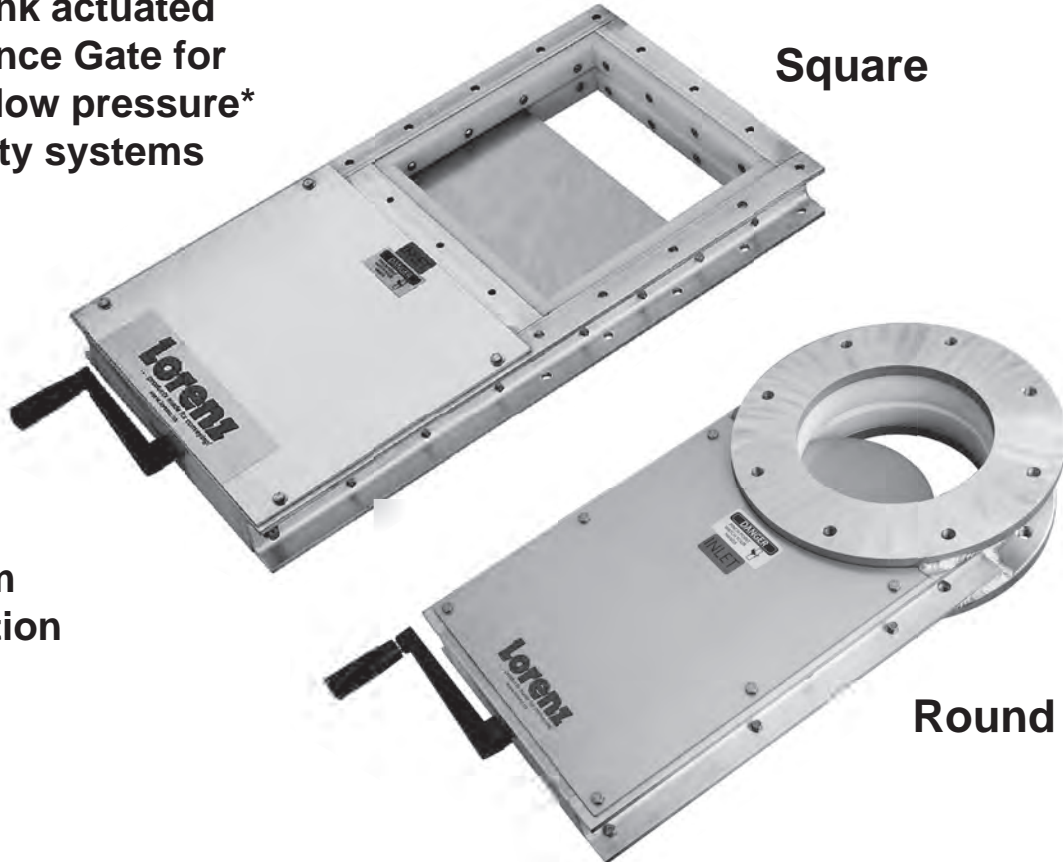


Maintenance Gate - Series "A"

Hand-crank actuated
Maintenance Gate for
vacuum, low pressure*
and gravity systems

Square

Aluminum
construction
standard



Round

*(Dilute phase up to 15 psig max.)

Standard Features

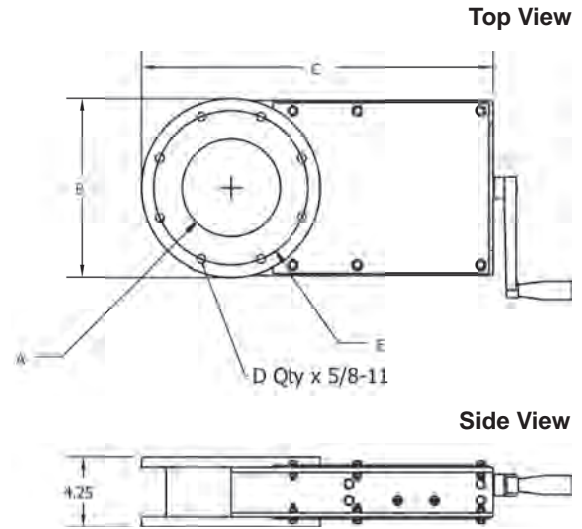
- Hand crank or hand wheel actuation
 - Polymer liner
- Square Gate - 304 stainless steel & polymer contact points & stainless steel blade
Round Gate - 304 stainless steel, polymer & aluminum contact points
- Narrow profile, lightweight aluminum frame
 - Constant pressure woven Teflon seals
 - Fully lined interior
 - Standard gate rated for 82° C (180° F)
 - Fully tested prior to shipping

Maintenance Gate - Series "A"

Maintenance Gate Valve - Round Orifice

MGR					
Size	A	B	C	D	E
600	6.00	11.00	21.62	8	9.50
800	8.00	13.50	26.75	8	11.75
1000	10.00	16.00	32.37	12	14.25
1200	12.00	19.00	37.62	12	17.00
1400	14.00	21.00	42.56	12	18.75
1600	16.00	23.50	47.81	16	21.25

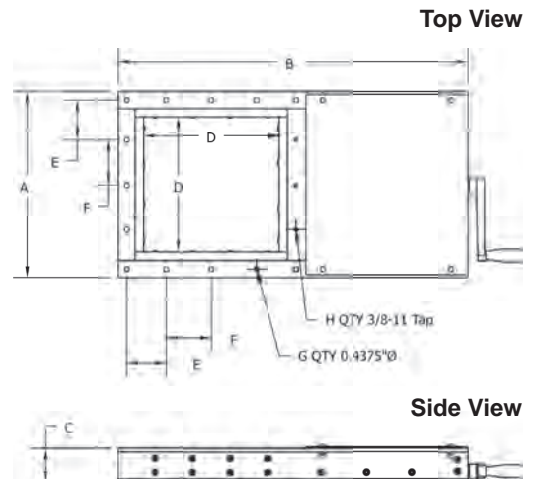
All dimensions approximate and subject to change



Maintenance Gate Valve - Square Orifice

MG								
Size	A	B	C	D	E	F	G Qty x 0.438"Ø	H Qty x 3/8-11 Tap
600	10.50	19.25	3.00	6.00	4.50	NA	7	1
800	12.50	23.00	3.00	8.00	5.50	NA	7	1
1000	14.50	27.00	3.00	10.00	3.25	3.25	13	3
1200	16.50	31.00	3.00	12.00	3.50	4.00	13	3
1400	18.50	35.00	3.00	14.00	4.25	4.25	13	3
1600	20.50	39.00	3.00	16.00	4.75	4.75	13	3
1800	24.00	44.50	4.00	18.00	5.25	5.25	13	3
2000	26.00	48.50	4.00	20.00	5.75	5.75	13	3

All dimensions approximate and subject to change



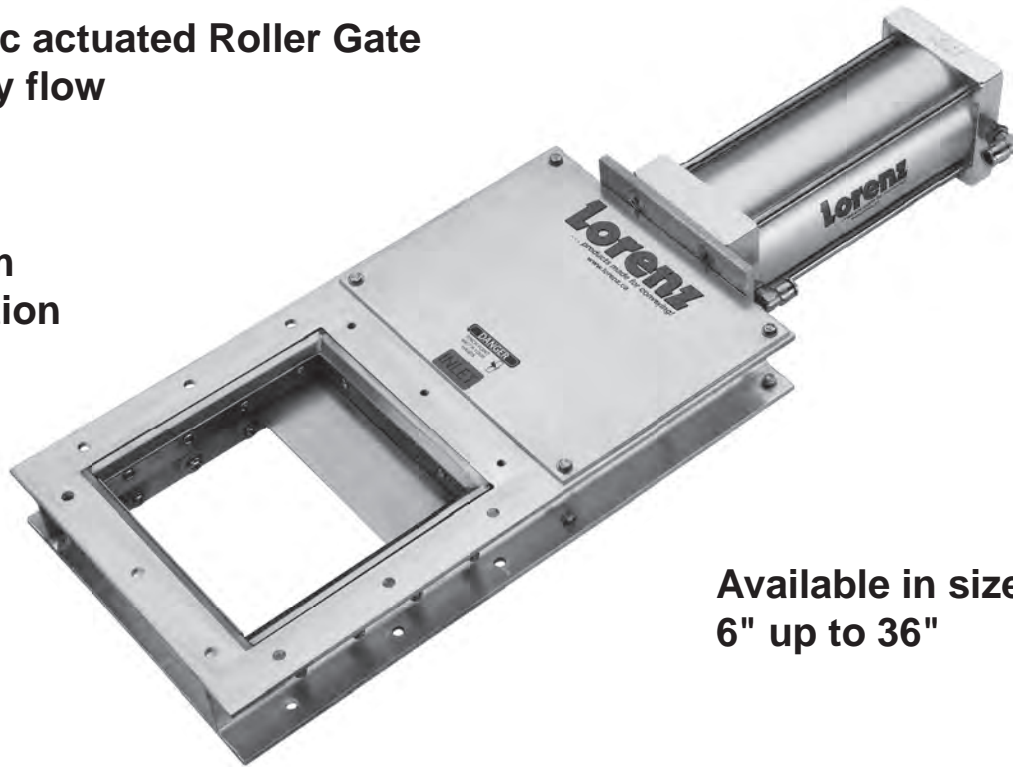
Options

- Air cylinders, hand wheel, electric or chain wheel actuation
- Stainless steel • Clear covers • Special service inlet
- High temperature service - Square model only

Roller Gate - Series "N"

**Pneumatic actuated Roller Gate
for gravity flow**

**Aluminum
construction
standard**



**Available in sizes
6" up to 36"**

Standard Features

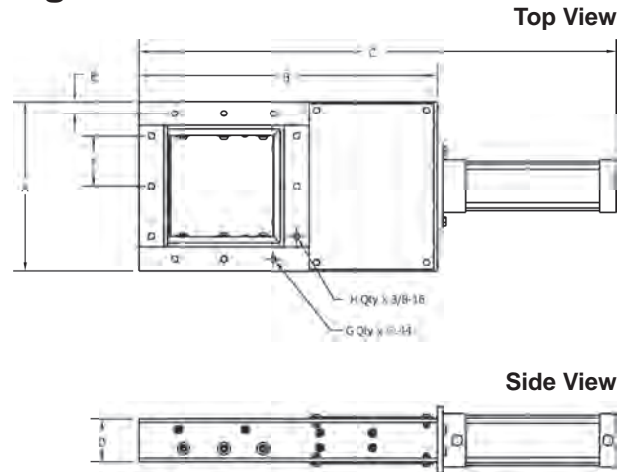
- Positive blade lock (PBL) between blade & cylinder rod
 - Internal magnetic piston, cushioned air cylinder
 - Stainless steel blade
 - Narrow profile, light weight aluminum frame
- Adjustable polymer cam rollers for dust tight seal on blade
 - Constant pressure nylon seals on blade
- Fully lined polymer interior with stainless steel seal retainers
- Regular flange patterns or CEMA flanges to match screw conveyors
 - Standard gate rated for 82° C (180° F)
 - Fully tested prior to shipping

Roller Gate - Series "N"

Regular Flange

RG									
Size	A	B	C	D	E	F	G Qty x 0.44"Ø	H Qty x 3/8-11 Tap	
600	10.00	17.00	27.63	3.00	0.88	4.13	6	2	
800	12.00	21.00	33.63	3.00	0.88	3.50	9	3	
1000	14.00	25.00	39.63	3.00	0.88	4.50	9	3	
1200	16.00	29.00	45.63	3.00	0.88	2.75	15	5	
1400	18.00	33.00	51.88	3.00	0.88	3.25	15	5	
1600	20.00	37.00	57.88	3.00	0.88	3.75	15	5	
1800	22.00	41.00	63.88	3.00	0.88	4.25	15	5	
2000	24.00	45.00	69.88	3.00	0.88	3.00	21	7	
2200	26.00	49.00	75.88	3.00	0.88	3.50	21	7	
2400	29.00	NA	85.00	4.00	1.38	3.75	21	7	
3000	35.00	NA	103.81	4.00	1.38	3.63	27	9	
3200	37.00	NA	109.81	4.00	1.38	3.63	27	9	
3400	39.00	NA	115.81	4.00	1.38	3.13	33	11	
3600	41.00	NA	121.94	4.00	1.38	3.31	33	11	

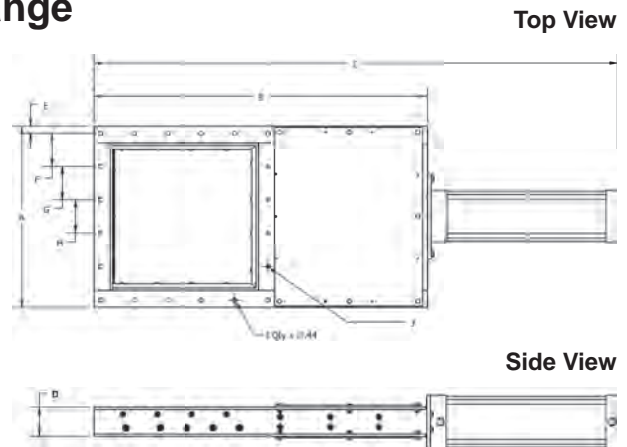
All dimensions approximate and subject to change



CEMA Flange

RG-CEMA										
Size	A	B	C	D	E	F	G	H	I	J
700	11.00	19.00	30.63	3.00	1.19	2.81	NA	3.00	10x.44	2x3/8-16
900	14.00	25.00	39.63	3.00	1.00	4.00	NA	4.00	10x.44	2x3/8-16
1100	15.00	27.00	42.63	3.00	1.00	4.31	NA	4.75	10x.44	2x3/8-16
1300	17.00	31.00	48.62	3.00	0.75	5.13	NA	5.25	10x.44	2x3/8-16
1500	19.00	35.00	54.88	3.00	0.75	3.50	3.50	3.50	16x.44	4x3/8-16
1700	21.00	40.00	61.88	3.00	0.75	3.75	4.00	4.00	16x.44	4x3/8-16
1900	23.00	43.00	66.88	3.00	0.50	4.44	4.38	4.38	16x.56	4x1/2-13
2100	25.00	47.00	72.88	3.00	0.50	4.88	4.75	4.75	16x.56	4x1/2-13
2500	30.00	NA	88.50	4.00	1.00	5.63	5.50	5.50	16x.56	4x1/2-13

All dimensions approximate and subject to change



Options

- Solenoids - single or double acting 110 volt AC & 24 volt DC NEMA 4 (available NEMA 7/9)
 - Oversized air cylinders • Pre-wired terminal boxes
 - Hand wheel, hand crank, electric or chain wheel actuation
- Position switches mounted on air cylinder 5 volt to 240 volt AC/DC
 - High temperature modifications available
- Stainless steel • Clear covers • Special service inlet
 - Removable Bonnet seal

Dual Air Cylinder Roller Gate - Series "N"

Pneumatic Actuated for gravity flow applications (ideal where space is restricted)

Dust tight seals on blade

Same features as Lorenz Roller Gate in a compact size

Aluminum construction standard available in sizes from 6" up to 30"

Standard and CEMA mounting patterns



Standard Features

- Positive blade lock (PBL) between blade & cylinder rod
 - Internal magnetic piston, cushioned air cylinder
 - 304 Stainless steel blade
 - Narrow profile, light weight aluminum frame
 - Polymer cam rollers
 - Constant pressure nylon seals on blade
- Fully lined polymer interior with stainless steel seal retainers
 - Standard gate rated for 82° C (180° F)
 - Fully tested prior to shipping

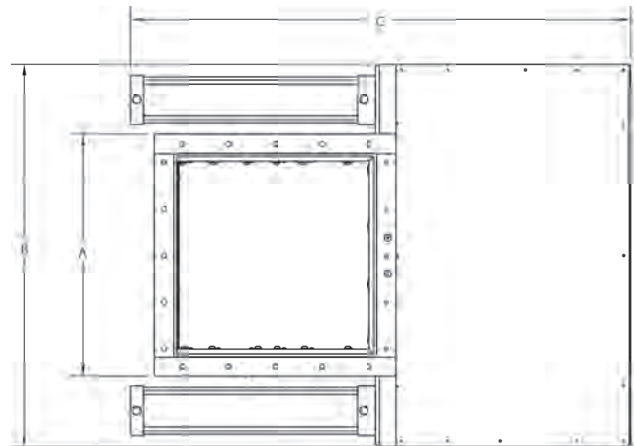
Dual Air Cylinder Roller Gate - Series "N"

Pneumatic Actuated for gravity flow applications

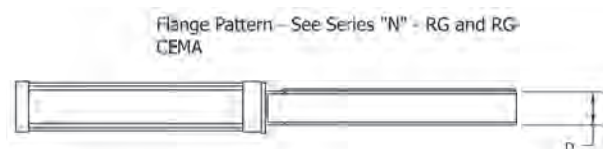
DRG				
Size	A	B	C	D
6	10.00	20.25	19.63	3.00
7	11.00	21.25	21.63	3.00
8	12.00	23.25	23.63	3.00
9	14.00	25.25	27.63	3.00
10	14.00	25.25	27.63	3.00
11	15.00	26.25	29.63	3.00
12	16.00	27.25	31.63	3.00
13	17.00	28.25	33.63	3.00
14	18.00	30.75	34.63	3.00
15	19.00	31.75	37.63	3.00
16	20.00	32.75	40.25	3.00
17	21.00	33.25	42.25	3.00
18	22.00	34.75	44.25	3.00
19	23.00	35.75	46.25	3.00
20	24.00	36.75	48.25	3.00
21	25.00	37.75	49.75	3.00
22	26.00	38.75	52.25	3.00
24	29.00	44.25	57.38	4.00
25	30.00	45.25	59.38	4.00
30	35.00	50.25	69.38	4.00

All dimensions approximate and subject to change

Top View



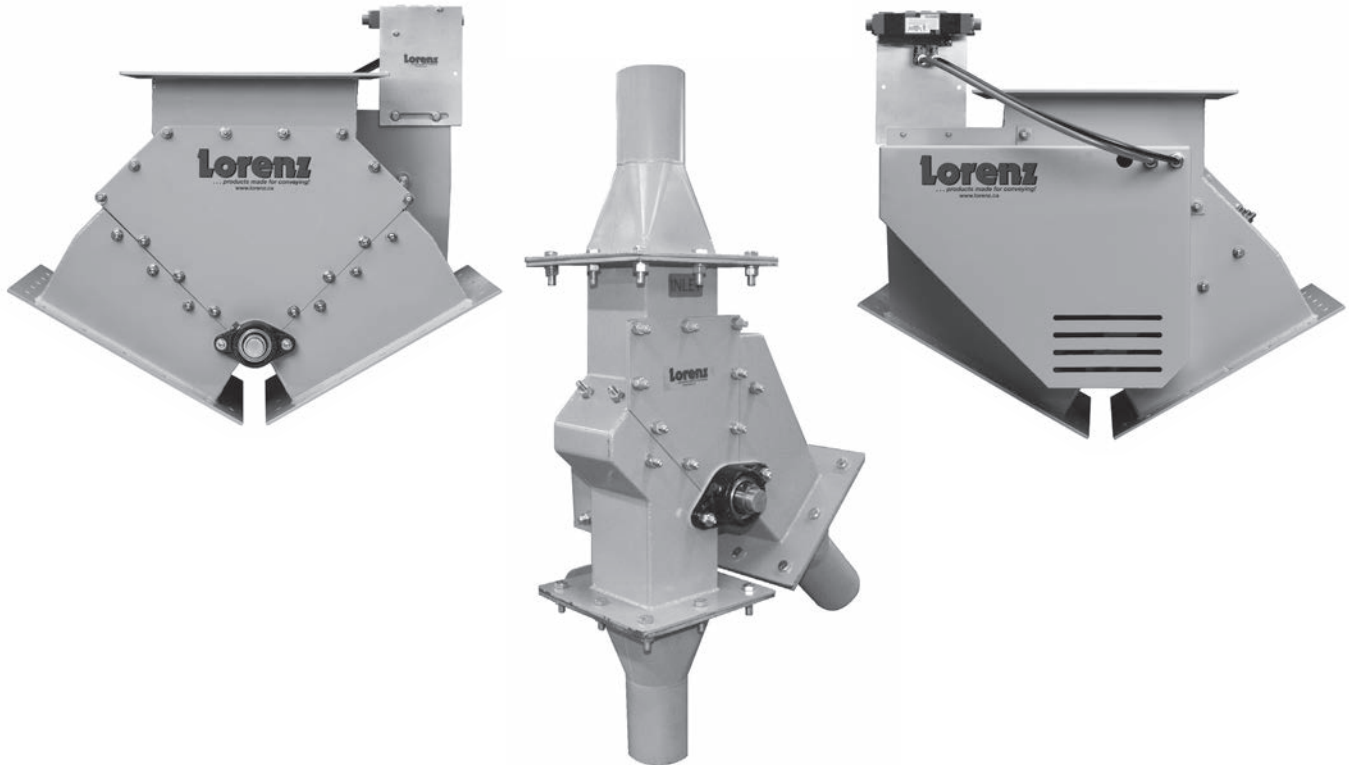
Side View



Options

- Solenoids - single or double acting 110 volt AC & 24 volt DC NEMA 4 (available NEMA 7/9)
 - High temperature modifications available
- Position switches mounted on air cylinder 5 volt to 240 volt AC/DC
 - Stainless steel • Clear covers • Special service inlet
- Pre-wired terminal box (PVC) • Removable Bonnet seals

2 Way Gravity Diverters - Sealed Units Series "L"



Standard Features

- For dry gravity flow applications providing a seal to the atmosphere
- Sizes 4" up to 30" • Stainless steel, carbon steel and aluminum construction
 - All valves come with square inlets and outlets standard
- Blade pocket protects leading edge of blade from wear and directs flow of material away
 - Replaceable active compression shaft seal and urethane blade seal
- Suitable for up to 104°C (220°F) • Removable door for cleaning and seal replacement

Options

- Square to round transitions available
 - Quick access removable door for cleaning and seal replacement
- Solenoids - double or single acting 110 volt AC & 24 volt DC NEMA 4 (NEMA 7/9 available)
- High temperature modifications available • Electric actuation • Prewired terminal box
 - Manual hand lever actuation

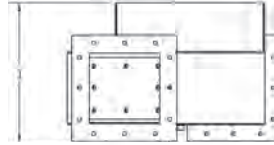
2 Way Gravity Diverters - Sealed Units Series "L"

ST Configuration

GDS2-ST									
Size	A	B	C	D	E	F	G	H	I
400	15.25	8.00	15.46	13.25	15.25	8.00	14.83	12.42	11.50
600	20.50	10.50	19.83	18.00	18.00	9.75	18.29	14.50	13.50
800	24.00	12.50	23.70	21.00	21.00	11.50	21.74	16.76	15.50
1000	25.50	14.75	27.81	22.00	23.00	13.00	24.95	18.05	17.50
1200	28.50	16.00	30.87	24.50	26.00	14.75	28.36	20.34	19.50
1400	31.50	18.00	34.79	27.00	29.00	16.50	31.86	22.64	21.50
1600	35.00	20.00	38.66	30.00	32.50	18.50	35.57	25.43	23.50
1800	38.50	22.00	42.53	33.00	36.00	20.50	39.28	28.22	25.50
2000	42.00	24.00	46.39	36.00	39.50	22.50	42.99	31.02	27.50
2200	45.50	26.00	50.26	39.00	43.00	24.50	46.69	33.81	29.50
2400	49.00	32.00	59.06	41.75	46.50	27.00	51.75	36.25	31.50
2600	52.50	30.00	58.92	44.75	50.00	29.00	55.46	39.04	33.50
2800	56.00	32.00	62.79	47.75	53.00	31.00	59.17	41.33	35.50
3000	59.50	34.00	66.66	50.75	54.00	31.88	61.75	41.63	37.50

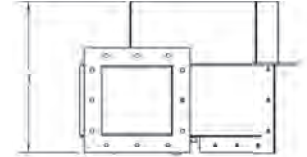
All dimensions approximate and subject to change

30° Top View



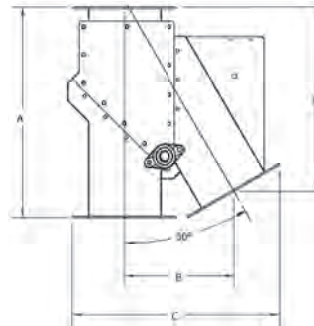
Series "L" - Standard Flange Pattern

45° Top View

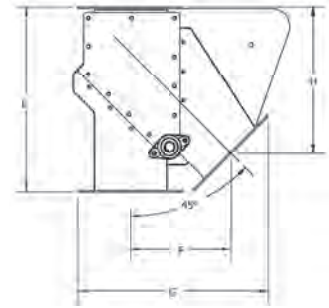


Series "L" - Standard Flange Pattern

30° Side View



45° Side View

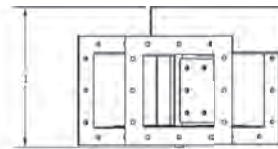


Y Configuration

GDS2-Y									
Size	A	B	C	D	E	F	G	H	I
400	10.50	12.50	9.00	15.93	9.00	11.83	7.50	13.16	11.50
600	11.50	14.00	10.00	18.66	10.25	13.79	9.00	16.07	13.50
800	13.50	16.50	12.00	22.39	11.50	15.74	10.50	18.99	15.50
1000	15.00	19.00	13.50	25.62	13.00	17.95	12.00	21.89	17.50
1200	17.00	21.00	15.50	29.36	14.25	19.91	13.50	24.81	19.50
1400	19.00	23.50	17.50	33.09	15.75	22.11	14.50	27.23	21.50
1600	20.50	25.50	19.00	36.32	17.00	24.07	16.00	30.14	23.50
1800	21.50	27.00	21.00	40.05	19.00	26.78	19.00	34.56	25.50
2000	23.00	29.00	23.00	43.79	21.50	29.99	22.00	38.97	27.50
2200	25.00	31.50	25.00	47.52	23.00	32.19	24.00	42.39	29.50
2400	28.50	35.75	27.00	52.12	25.50	35.75	29.00	49.51	31.50
2600	30.00	37.75	29.00	55.85	27.00	37.25	31.00	51.51	33.50
2800	31.00	39.25	31.00	59.58	29.00	40.67	33.00	56.34	35.50
3000	33.00	41.75	33.00	63.31	30.50	42.87	35.00	59.75	37.50

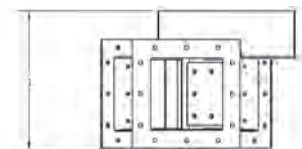
All dimensions approximate and subject to change

30° Top View



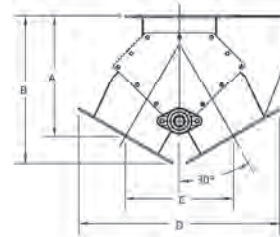
Series "L" - Standard Flange Pattern

45° Top View

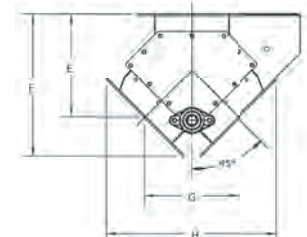


Series "L" - Standard Flange Pattern

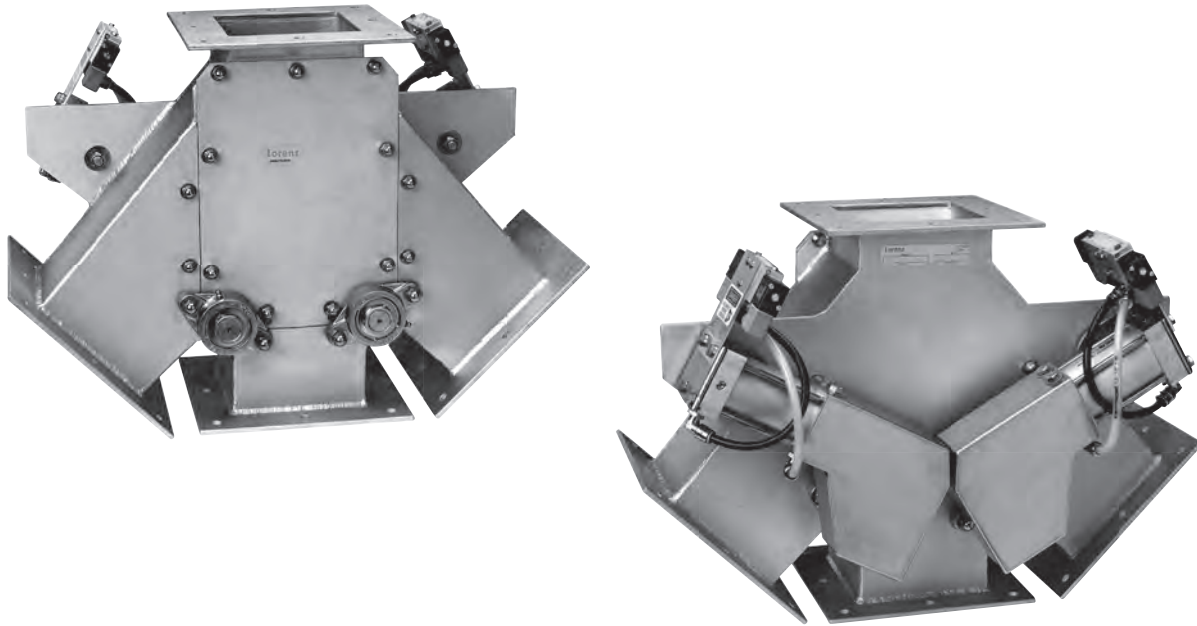
30° Side View



45° Side View



3 Way Gravity Diverters - Sealed Units Series "L"



Standard Features

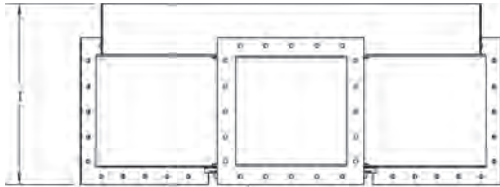
- For dry gravity flow applications providing a seal to the atmosphere
- Sizes 4" up to 18" • Stainless steel, carbon steel and aluminum construction
 - All valves come with square inlets and outlets standard
- Blade pocket protects leading edge of blade from wear and directs flow of material away
 - Replaceable active compression shaft seal and urethane blade seal
- Suitable for up to 104°C (220°F) • Removable door for cleaning and seal replacement

Options

- Square to round transitions available
 - Quick access removable door for cleaning and seal replacement
- Solenoids - double or single acting 110 volt AC & 24 volt DC NEMA 4 (NEMA 7/9 available)
- High temperature modifications available • Electric actuation • Prewired terminal box
 - Manual hand lever actuation

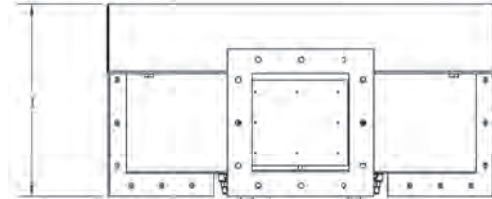
3 Way Gravity Diverters - Sealed Units Series "L"

30° Top View



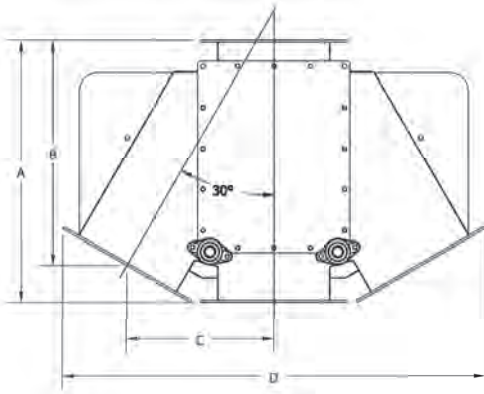
Series "L" - Standard Flange Pattern

45° Top View

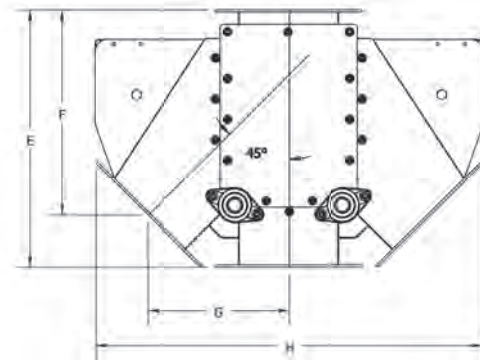


Series "L" - Standard Flange Pattern

30° Side View



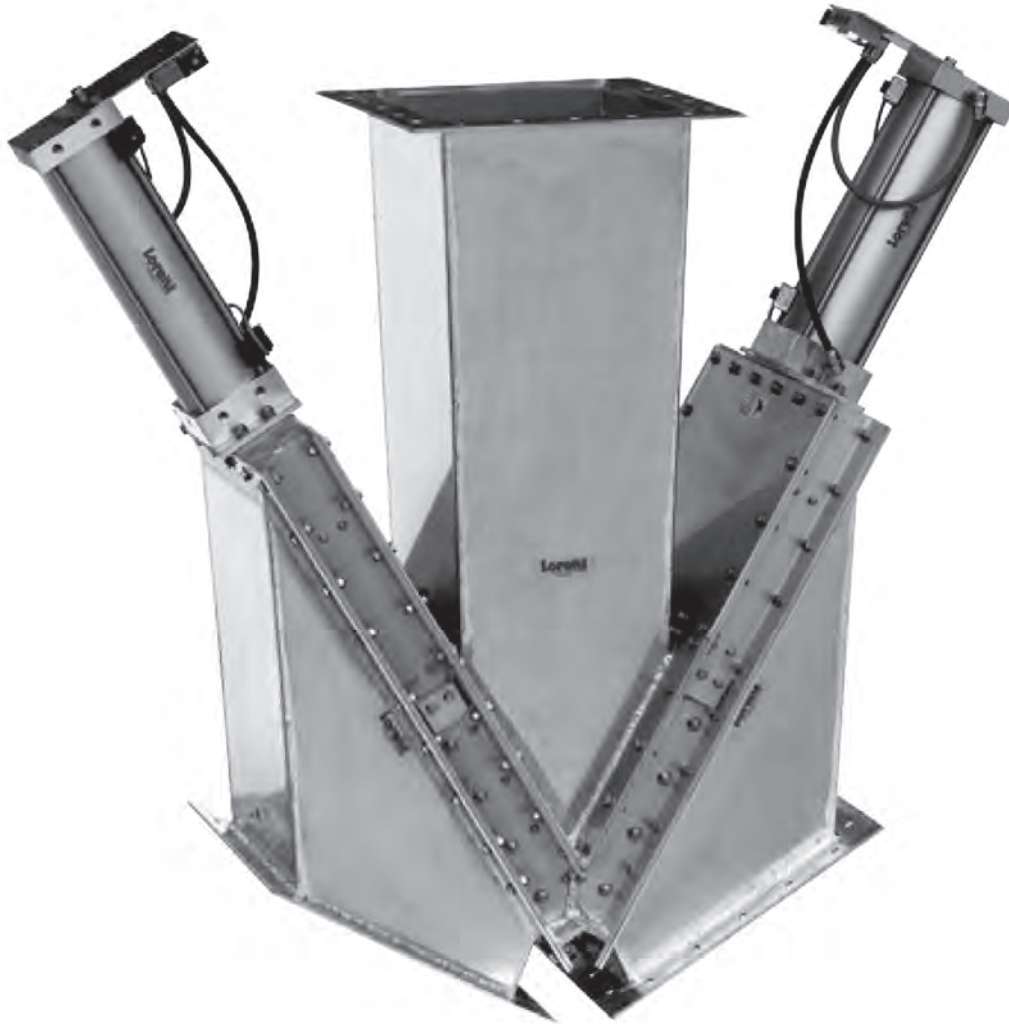
45° Side View



GDS3									
Size	A	B	C	D	E	F	G	H	I
4	15.25	13.25	8.00	22.93	15.25	12.42	8.00	21.66	11.50
6	20.50	18.00	10.50	29.66	18.00	14.50	9.75	26.57	13.50
8	24.00	21.00	12.50	35.39	21.00	16.76	11.50	31.49	15.50
10	25.50	22.00	14.75	41.62	23.00	18.05	13.00	35.90	17.50
12	28.50	24.50	16.00	45.86	26.00	20.34	14.75	40.81	19.50
14	31.50	27.00	18.00	51.59	29.00	22.64	16.50	45.73	21.50
16	35.00	30.00	20.00	57.32	32.50	25.43	18.50	51.14	23.50
18	38.50	33.00	22.00	63.05	36.00	28.22	20.50	56.56	25.50

All dimensions approximate and subject to change

Gravity Dual Control Gate - Series "G"

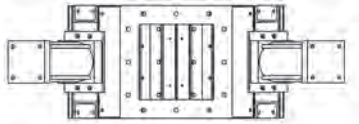


Standard Features

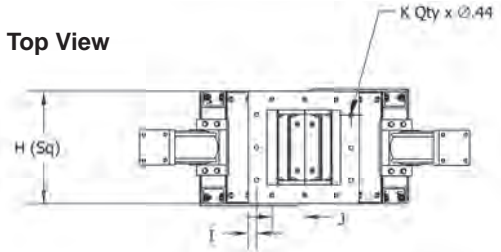
- Stainless steel material contact points
- Dust tight seals
- Lightweight aluminum frame, corrosion resistant
- Choice of stainless, aluminum and carbon inlets and outlets
 - 60° configuration standard -45° optional
- No internal ledges for product to collect
- Rated for 82°C (180°F)

Gravity Dual Control Gate - Series "G"

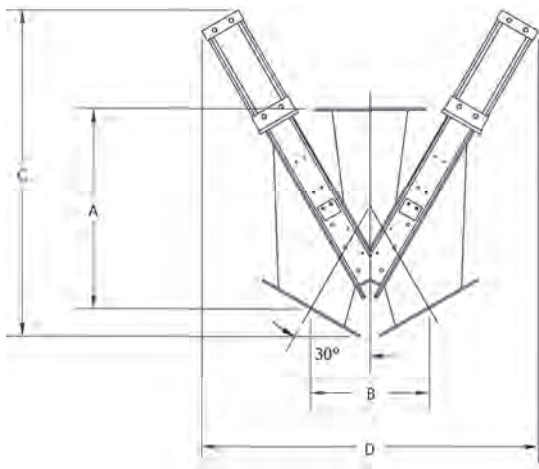
30° Top View



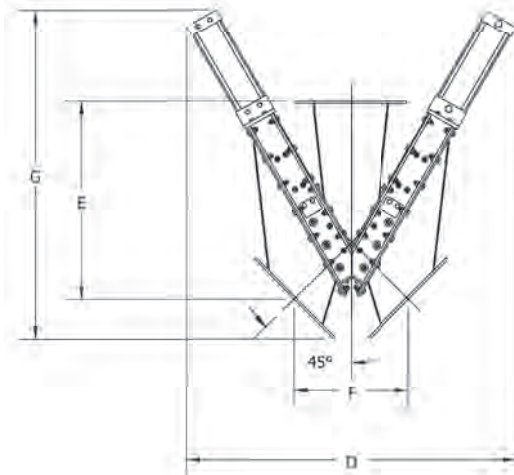
45° Top View



30° Side View



45° Side View



GDCG											
Size	A	B	C	D	E	F	G	H	I	J	K
500	16.49	11.25	28.74	30.75	12.38	10.88	25.56	9.00	0.88	3.63	8
600	17.11	11.50	29.24	31.12	15.27	12.00	24.44	10.00	0.88	4.13	8
800	19.79	12.75	36.04	35.96	21.44	12.75	34.90	12.00	0.88	3.50	12
1000	23.02	14.75	41.54	45.50	17.63	15.00	37.58	14.00	0.88	4.50	12
1200	25.44	16.38	43.99	47.96	19.44	16.25	42.72	16.00	0.88	2.75	20
1400	29.46	18.00	52.56	57.75	22.88	18.50	47.74	18.00	0.88	3.25	20
1600	32.52	18.50	56.15	63.00	25.75	19.00	51.47	20.00	0.88	3.75	20
1800	35.00	21.50	63.50	69.75	27.13	20.50	57.90	22.00	0.88	4.25	20
2400	32.79	26.88	79.00	86.40	22.31	26.63	75.69	29.00	1.38	3.75	28

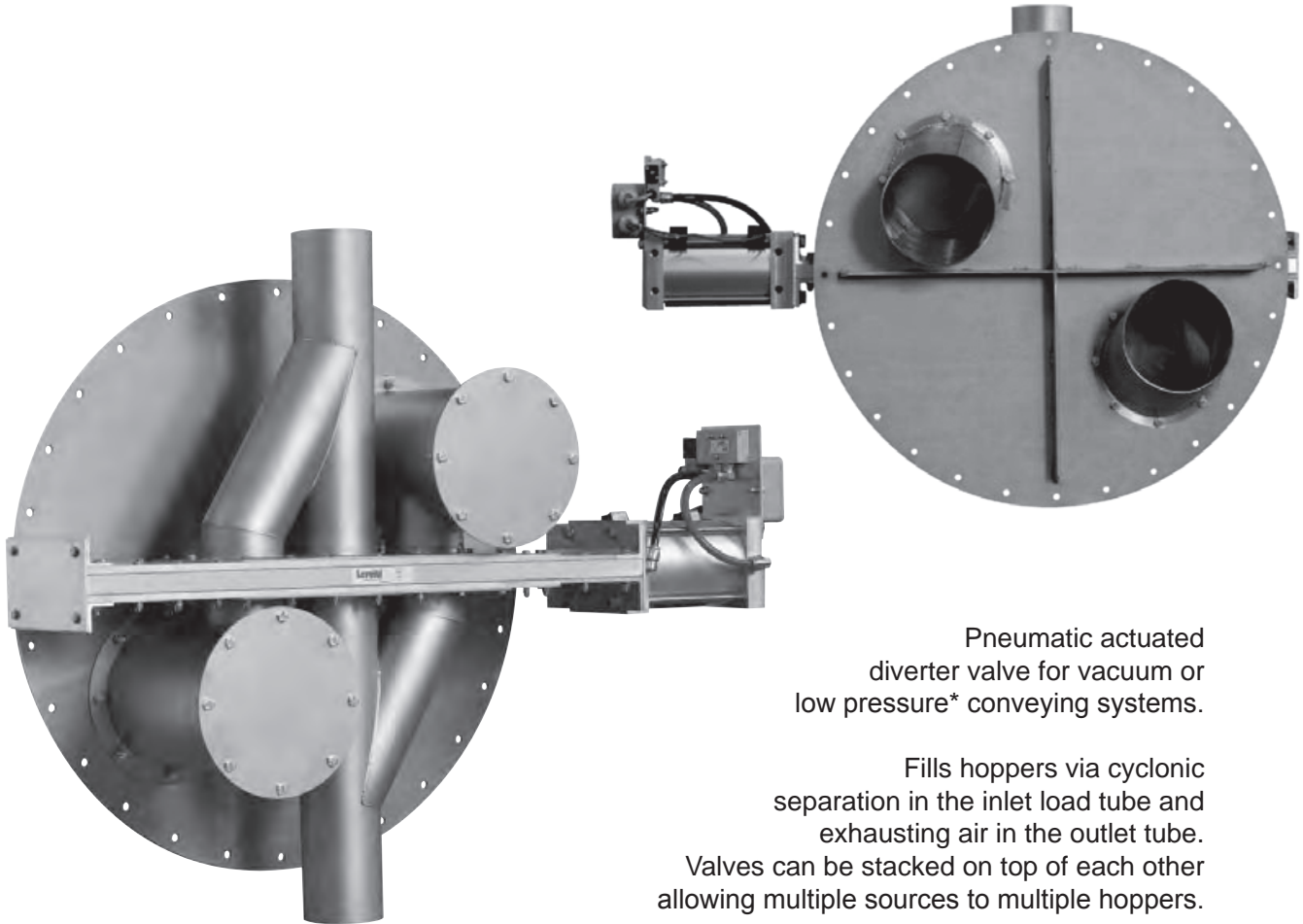
All dimensions approximate and subject to change

Options

- 316 stainless material contact • High temperature service
 - Hand wheel or crank, electric actuation
- Solenoids - double or single acting 110 volt AC & 24 volt DC NEMA 4 (NEMA 7/9 available)
 - Variable and infinite positioning controls

By Pass Load Diverter - Series "F"

For Pneumatic Conveying Systems Applications



Pneumatic actuated diverter valve for vacuum or low pressure* conveying systems.

Fills hoppers via cyclonic separation in the inlet load tube and exhausting air in the outlet tube. Valves can be stacked on top of each other allowing multiple sources to multiple hoppers.

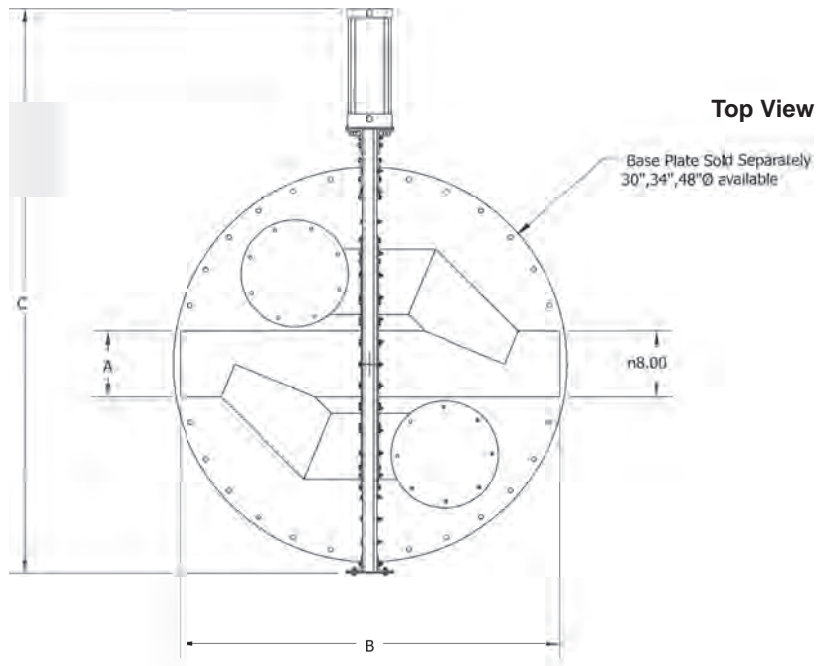
Available in sizes 2" to 8".

(Dilute phase up to 15 psig max.)

Standard Features

- Stainless steel construction standard - optional carbon steel & aluminum
 - Lightweight aluminum frame, corrosion resistant
 - Positive blade lock (PBL) between blade and cylinder rod
- Active compression seals (ACS) • Internal magnetic piston cushioned air cylinder
 - Stacking design for multiple conveying lines
 - Rated for 82° (180°F) • Base is sold separately

By Pass Load Diverter - Series "F"



BLD				
Size	A	B	C	D
200	2.00	23.75	31.31	7.00
300	3.00	26.00	36.94	8.00
400	4.00	31.25	38.06	10.00
500	5.00	35.25	47.06	12.00
600	6.00	40.25	51.19	13.00
800	8.00	46.25	68.62	15.00
All dimensions approximate and subject to change				

Options

- 316 stainless material contact points
- High temperature service

2 Way Aggregate Diverter Valve - Series "J"

AG Diverter designed for gravity flow applications of dry aggregate materials



Standard Features

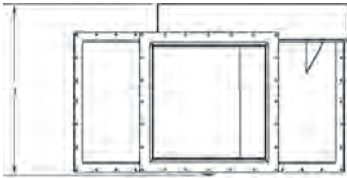
- Sizes from 6" to 24"
- Heavy duty carbon steel construction
- "Y" or straight configuration • 45 degree off leg standard
- Access door for maintenance and inspection of valve

Options

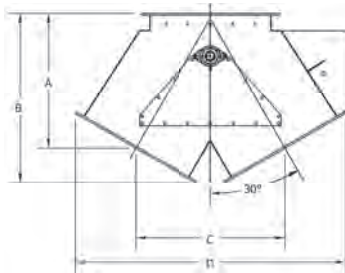
- 30 degree off leg • Straight configuration
- Hand wheel/lever or chain wheel actuators
- Square to round transitions • High temperature kits
- Dead pocket deflector • Interior polymer liners • Pocketed liner
- Solenoids - double or single acting 110 volt AC & 24 volt DC NEMA 4 (NEMA 7/9 available)

2 Way Aggregate Diverter Valve - Series "J"

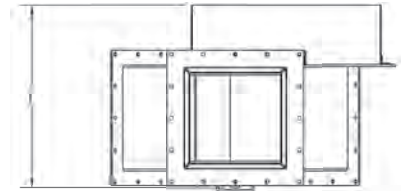
30° Top View



30° Side View

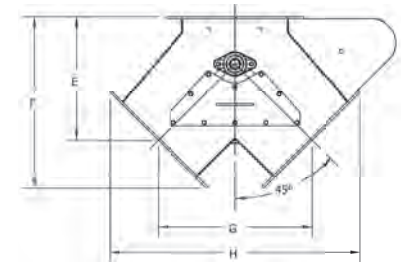


45° Top View



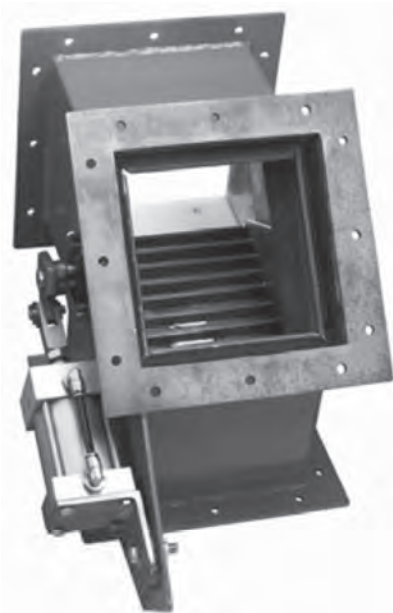
Series "C" and "J" Flange Pattern

45° Side View



AGD2-Y 45 & 30									
Size	A	B	C	D	E	F	G	H	I
600	12.00	14.50	10.00	18.66	11.50	15.04	12.00	19.07	13.50
800	13.00	16.00	12.00	22.39	12.50	16.74	14.00	22.49	15.50
1000	14.00	17.50	14.00	26.12	13.50	18.45	16.00	25.90	17.50
1200	15.00	19.00	16.00	29.86	14.50	20.16	18.00	29.31	19.50
1400	17.00	21.50	18.00	33.59	16.50	22.86	20.00	32.73	21.50
1600	18.00	23.00	20.00	37.32	17.00	24.07	22.00	36.14	23.50
1800	19.00	24.50	22.00	41.05	18.00	25.78	24.00	39.56	25.50
2000	24.00	30.00	26.00	46.79	21.00	29.49	26.00	42.97	27.50
2200	25.25	31.75	26.00	48.52	22.00	31.19	28.00	46.39	29.50
2400	27.00	34.00	30.00	54.25	26.50	36.40	36.00	55.80	31.50

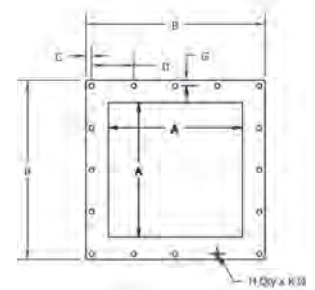
All Dimensions Approximate and subject to change



AGC and AGD Flange Pattern									
Size	A	B	C	D	E	F	G	H	K
600	6.00	10.00	0.50	4.50	-	-	0.50	8	0.44
700*	7.00	11.00	0.50	5.00	-	-	0.50	8	0.44
800	8.00	12.00	0.50	5.50	-	-	0.50	8	0.44
900*	9.00	13.00	0.50	3.00	-	-	0.50	16	0.44
1000	10.00	14.00	0.50	3.25	-	-	0.50	16	0.44
1100*	11.00	15.00	0.50	3.50	-	-	0.50	16	0.44
1200	12.00	16.00	0.50	3.75	-	-	0.50	16	0.44
1300	13.00	17.00	0.50	5.25	-	-	0.50	12	0.44
1400	14.00	18.00	0.50	4.25	-	-	0.50	16	0.44
1500	15.00	19.00	0.75	3.50	3.50	3.50	0.75	20	0.44
1600	16.00	20.00	0.50	4.75	-	-	0.50	16	0.44
1700	17.00	21.00	0.75	3.75	4.00	4.00	0.75	20	0.44
1800	18.00	22.00	0.75	5.25	-	-	0.50	16	0.44
1900	19.00	23.00	0.50	4.44	4.38	4.38	0.50	20	0.56
2000	20.00	24.00	0.50	5.75	-	-	0.50	16	0.44
2100	21.00	25.00	0.50	4.88	4.75	4.75	0.50	20	0.56
2200	22.00	26.00	0.50	4.13	4.19	4.19	0.50	24	0.44
2400	24.00	28.00	0.50	4.50	-	-	0.50	24	0.44

All dimensions approximate and subject to change

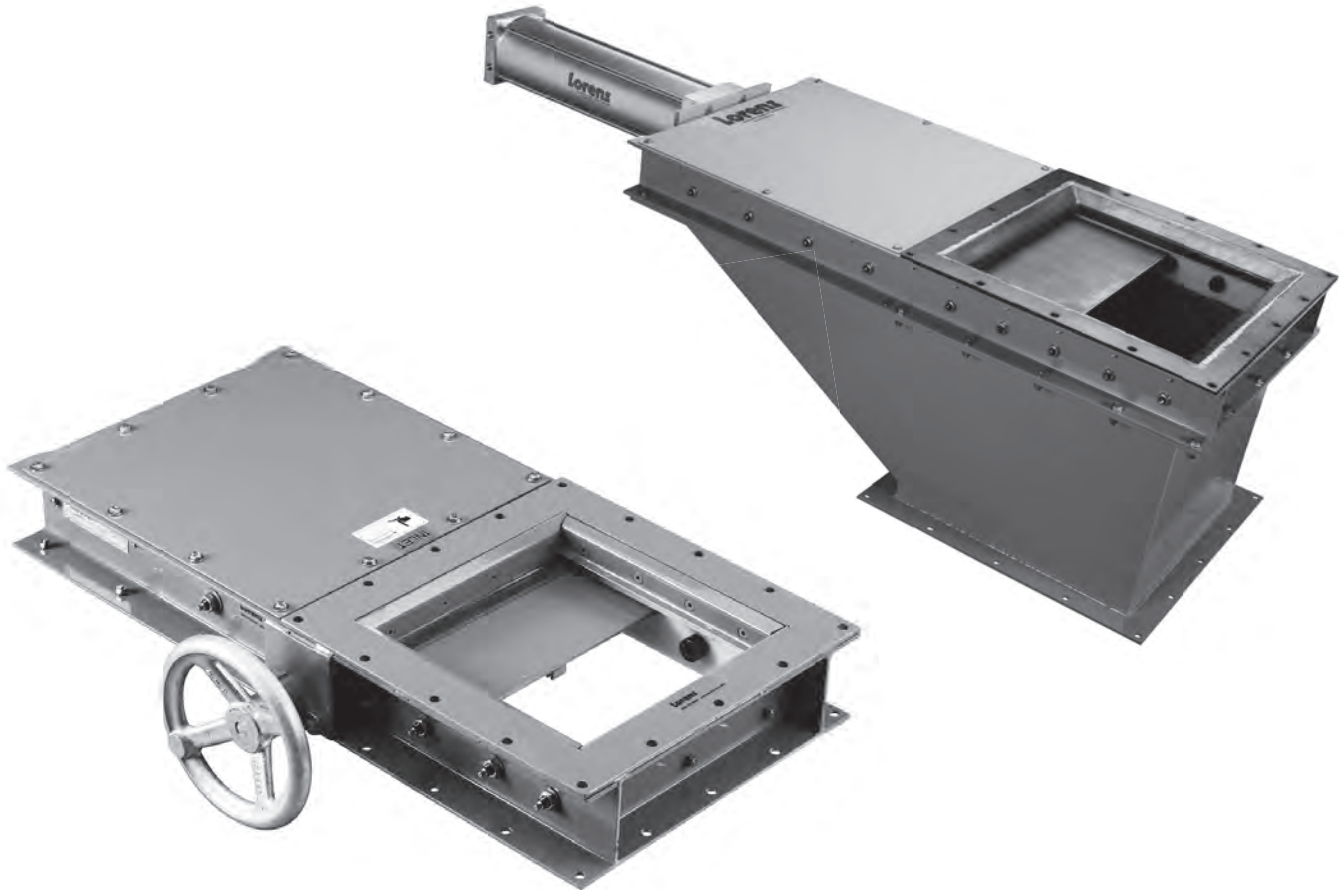
* CEMA Pattern Not Available



Series "C" AGC and Series "J" - Standard

Aggregate Control Gate - Series "C"

Gate for controlling dry, gravity flow aggregates



Standard Features

- 6" - 30" sizes • Heavy duty carbon steel construction
- AR plate blade • Standard hand wheel actuated

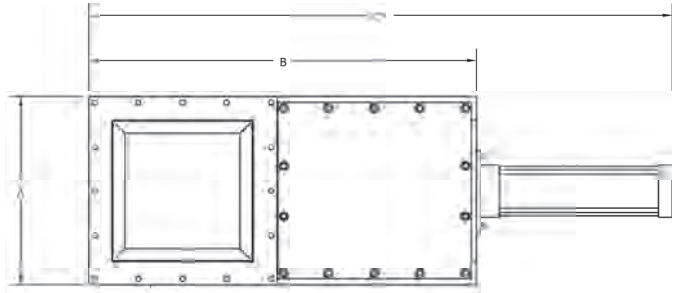
Options

- Square to round transitions • Hi-temp kits
- Internal magnetic cushioned air cylinder
- Solenoids - double or single acting 110 volt AC & 24 volt DC NEMA 4 (NEMA 7/9 available)
- Chain wheel, pneumatic or electric actuation • Return pan to capture leakage

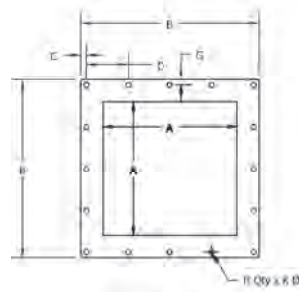
Aggregate Control Gate - Series "C"

AGC				
Size	A	B	C*	D
600	10.00	21.00	31.63	4.25
700	11.00	22.50	34.13	4.25
800	12.00	25.00	37.63	4.25
900	13.00	27.00	40.63	4.25
1000	14.00	29.00	43.63	4.25
1100	15.00	31.00	46.63	4.25
1200	16.00	33.00	49.63	4.25
1300	17.00	35.00	52.63	4.25
1400	18.00	37.00	55.88	4.25
1500	19.00	39.00	58.88	4.25
1600	20.00	41.00	61.88	4.25
1700	21.00	43.00	64.88	4.25
1800	22.00	45.00	67.88	4.25
1900	23.00	47.00	70.88	4.25
2000	24.00	49.00	73.88	4.25
2100	25.00	51.00	76.88	4.25
2200	26.00	53.00	79.88	4.25
2400	28.00	57.00	88.25	4.25
2500	29.00	59.00	91.75	4.25
3000	34.00	69.00	106.75	4.25
All dimensions approximate and subject to change				
*Air Cylinder Only				

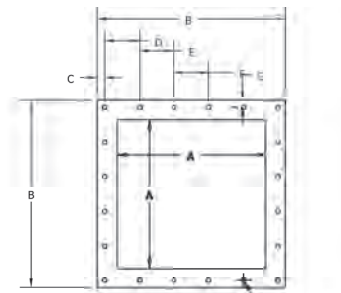
AGC and AGD Flange Pattern									
Size	A	B	C	D	E	F	G	H	K
600	6.00	10.00	0.50	4.50	-	-	0.50	8	0.44
700*	7.00	11.00	0.50	5.00	-	-	0.50	8	0.44
800	8.00	12.00	0.50	5.50	-	-	0.50	8	0.44
900*	9.00	13.00	0.50	3.00	-	-	0.50	16	0.44
1000	10.00	14.00	0.50	3.25	-	-	0.50	16	0.44
1100*	11.00	15.00	0.50	3.50	-	-	0.50	16	0.44
1200	12.00	16.00	0.50	3.75	-	-	0.50	16	0.44
1300	13.00	17.00	0.50	5.25	-	-	0.50	12	0.44
1400	14.00	18.00	0.50	4.25	-	-	0.50	16	0.44
1500	15.00	19.00	0.75	3.50	3.50	3.50	0.75	20	0.44
1600	16.00	20.00	0.50	4.75	-	-	0.50	16	0.44
1700	17.00	21.00	0.75	3.75	4.00	4.00	0.75	20	0.44
1800	18.00	22.00	0.75	5.25	-	-	0.50	16	0.44
1900	19.00	23.00	0.50	4.44	4.38	4.38	0.50	20	0.56
2000	20.00	24.00	0.50	5.75	-	-	0.50	16	0.44
2100	21.00	25.00	0.50	4.88	4.75	4.75	0.50	20	0.56
2200	22.00	26.00	0.50	4.13	4.19	4.19	0.50	24	0.44
2400	24.00	28.00	0.50	4.50	-	-	0.50	24	0.44
2500	25.00	29.00	0.50	5.63	5.63	5.50	0.50	20	0.56
3000	30.00	34.00	0.50	5.50	-	-	0.50	24	0.44
All dimensions approximate and subject to change									
*CEMA Pattern Not Available									



Series "C" and Series "J" Flange Pattern

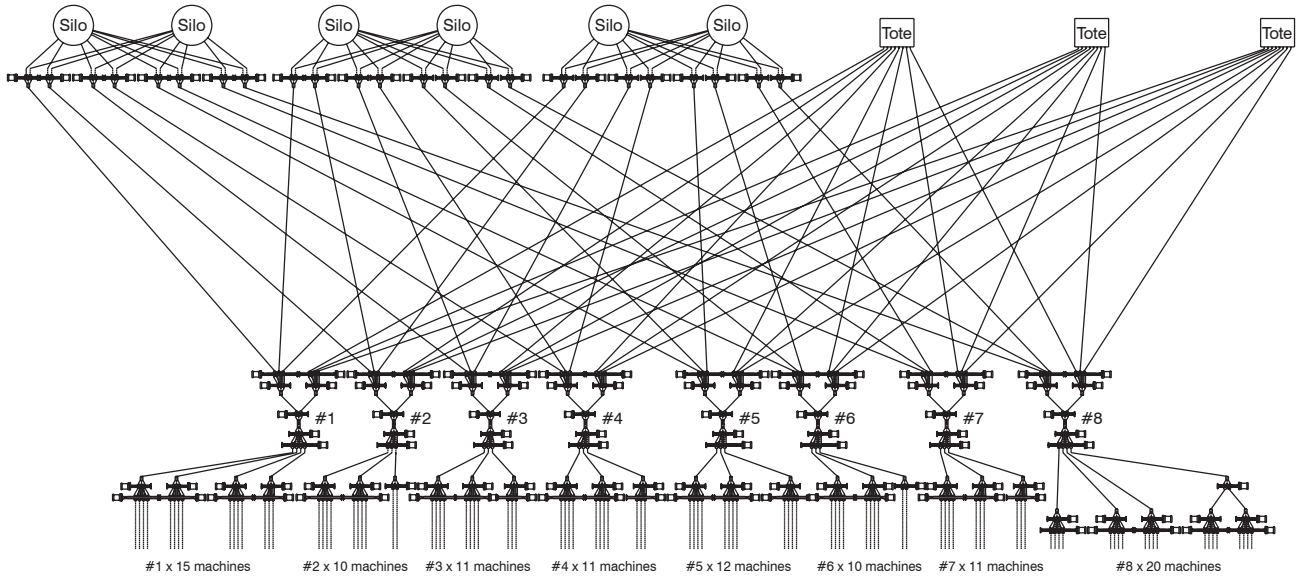


Series "C" AGC and Series "J" Standard



Series "C" - AGC - CEMA

Multi Port Diverter Systems



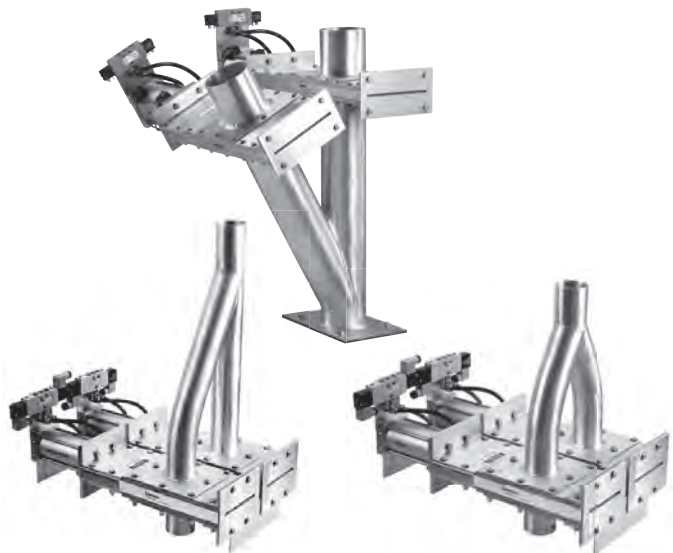
Standard Features

- Custom built automatic material transfer stations
 - From multiple sources to multiple stations
- Eliminates hose stations, operator error and spills
 - single piece units or separate cells
 - Combine 2, 3, & 4 Way Diverter Vales and Slide Gates
 - Can be manufactured as 1 unit or multiple units closer to source
- Can be hard piped or hoses used for flexibility and ease of maintenance

Line Controllers

Features & Benefits

- Allows full control of conveying lines using 2 Slide Gates and separate controls
- Either valve can open or close or both open or close
- Variety of configurations 45° & 60° branch laterals
- "Y" smooth branches • "ST" smooth branches
- Aluminum, Stainless Steel & Carbon Steel
- All sizes and configurations may not be available
- Consult factory for details



Options - Valves & Gates

Single-Acting Spring-Return Solenoid

- Allows valve to return to original position after energy source has stopped
- 110/120 volt AC or 24 volt DC
- Standard NEMA 4, available in NEMA 7-9
- Ideal for Fail Safe Applications



Double-Acting Solenoid

- Valve will remain in current position until opposite solenoid is energized to move valve
- 110/120 volt AC or 24 volt DC
- Standard NEMA 4, available in NEMA 7-9



Manual-Lever Valve

- For use when automation is not required
- Large handle for easy movement



Position Switches

- Magnetic reed Position Switches indicate cylinder position
- 5 volt - 220 volt AC/DC
- Standard NEMA 6, available in Intrinsically Safe



Filter Regulator Lubricator

- Filter Regulator/ Lubricator- Pre-plumbed filter lubricator and pressure gauge



Pre-Wired Terminal Boxes

- NEMA 4 water/dust tight enclosure end mount on air cylinder
- Comes complete with all wires, fittings and connections - simply brings power and air supply to box and unit is ready



Vented Ball Valve

- For blocking out air supply, bleeding off residual air and able to lockout/tag valve.
- (Install in compressed air line within 12" of valve or gate control valve)



Mufflers

- Mufflers – installed on solenoid to reduce noise
- (optional adjustable flow control mufflers to reduce speed available)



Options - Valves & Gates

High Temperature #1 (HT1)*

- Valve modified to withstand 120°C (250°F) continuous 145°C (300°F) intermittent
- Nylon pressure plate
- Silicone seals & rings
- Teflon shims

High Temperature #2 (HT2)*

- Valve modified to withstand 200°C (400°F) continuous 230°C (450°F) intermittent
- Teflon pressure plate
- Silicone seals & rings
- Teflon shims

Standard valves and gates are rated for 82°C (180°F).

Air-Purged Body c/w Gauge & Regulator

- Body of valve is sealed & pressurized to prevent passing of product into valve cavity
- User sets regulator 2 psi greater than conveying pressure



Polar Lubrication

- For low-temperature installations -50°C (-60°F)
- Absorbs water contained in compressed air to prevent freezing
- Air cylinder comes with low-temp. seals
- Metal bowl lubricator included
- Air line that supplies valve must be maintained with Polar Lube lubricant to prevent freezing



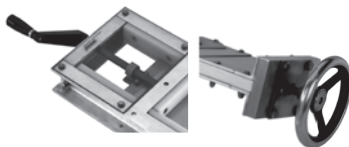
Electric Actuators

- Electric actuators for outdoor applications
- Cast aluminum construction
- Operating range -40°C to 65°C (-40°F to 150°F) 115VAC, 60Hz, single phase, TENV
- Other voltages available upon request
- Weatherproof and/or Dust-Ignition proof (Class II, Division 1&2, Groups E, F and G) enclosure



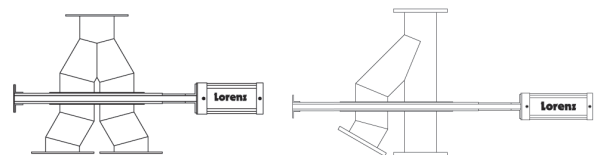
Hand-Crank/Wheel Actuation

- Hand-Crank/Wheel allow valve to be operated manually
- Isolate for maintenance



Inlet & Outlet Modifications

- In-house manufacturing = quick turnaround
- Wide variety of options available
- Modifications are made to inlets & outlets to suit installation preferences



Sticky Service/Moisture

- PET Plates (polyethylene terephthalate) or UHMW (Ultra High Molecular Weight Polyethylene) plates are used and blade is electro polished

Molybdenum Disulphide Impregnated Pressure Plates

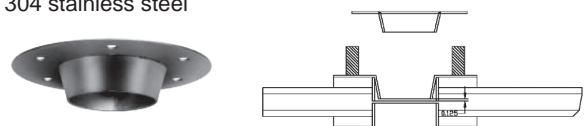
- Lubricated nylon pressure plates for handling minerals

Clear Covers (Polycarbonate)

- For visual inspection of valves (max. temp. 120°C (250°F))

Special Service Inlets

- A special Service Inlet directs the flow of material towards the centre of the valve, preventing shearing and packing of material. Recommended when closing on a column of material, gravity flow and abrasive materials.
- 304 stainless steel



Valve Electrical Controls



2 Push Button

2 Position Push Button (open and closed)
For simple open and closed operations

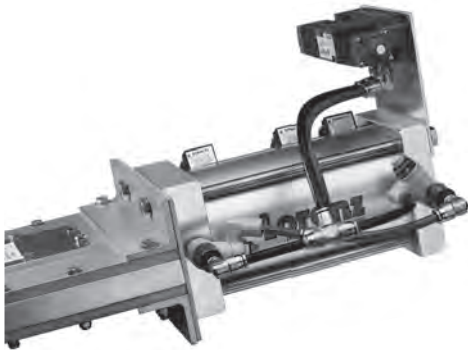
Details

- Includes metal panel enclosure
- On-Off switch standard • Uses relays 110 volt AC or 24 volt DC
- Pre-wired terminal box required if mounted more than 9 ft (3 m) from valve (specify distance)

Variable Centre Position (dribble feed)

Variable position is manually adjustable by moving centre position switch.

Consult factory for operation details.



*Available on Slide Gates
and Roller Gates*



Details

- Operates from closed to open then centre or open to closed then centre
- Variable position is manually adjustable by moving centre position switch
- Additional positions are available

Infinite Position Controls



*Available on Slide Gates
and Roller Gates*

Details

- Infinite position controls allow for gate to be open to a specified opening size*

*Does not control amount of flow, just provides opening.

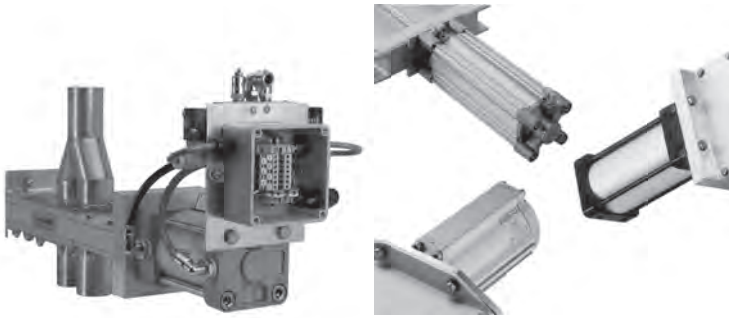
Application Chart

Valve Selection	Series	Sizes	Pressure 15 psig	Gravity	Vacuum	Mounting	Actuator
Diverter Valves - 2 Way - ST or Y configuration	D	1.5"-14"	•		•	horiz/vert	Air, Hand, Electric
3 Way	D	2"-8-5/8"	•		•	horiz/vert	Air, Hand, Electric
4 Way	D	2"-8-5/8"	•		•	horiz/vert	Air, Hand, Electric
Slide Gate - TPS-LSP-BBH-SB-BTV	E	1.5"-14"	•	•	•	horiz/vert	Air, Hand, Electric
Push-Pull Slide Gate	E	2"-12"		•	•	horiz/vert	Hand
Discharge Valve	H	6"-16"		•		horiz	Air, Hand, Electric
Slide Flex 2 Way & 3 Way	P	2"-8"	•		•	horiz/vert	Air, Hand, Electric
Roller Gate	N	6"-30"		•		horiz	Air, Hand, Electric
Dual Cylinder Roller Gate	N	6"-30"		•		horiz	Air, Hand, Electric
Maintenance Gate- Square	A	6"-20"	•	•	•	horiz	Air, Hand
Maintenance Gate- Round	A	6"-16"	•	•	•	horiz	Air, Hand
By Pass Load Diverter	F	2"-8"	•		•	horiz	Air, Hand, Electric
Gravity Dual Control Gate	G	5" - 24"		•		horiz	Air, Hand, Electric
Gravity Diverter Sealed 2 Way	L	4"-30"		•		horiz	Air, Hand, Electric
3 Way	L	4"-18"		•		horiz	Air, Hand, Electric
Gravity Diverter Unsealed 2 Way & 3 Way	B	3"-14"		•		horiz	Air, Hand Lever
Aggregate Control Gate	C	6"-30"		•		horiz	Air, Hand, Electric
Aggregate Diverter Valve 2 Way	J	6"-24"		•		horiz	Air, Hand, Electric
Easy Clean Slide Gate	K	2"-8"		•		horiz	Air, Hand

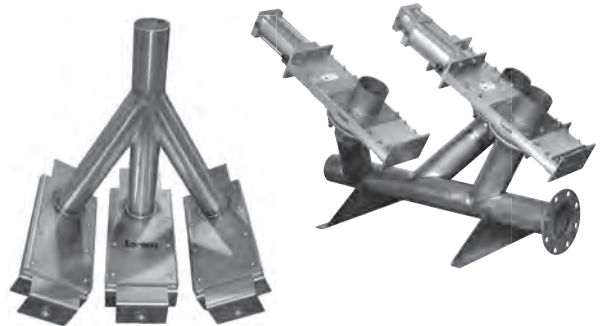
*This chart is for reference only.
Please contact a customer service representative for more details.*

Customization

Adapt any Lorenz product to your specialized application



Client Specified Cylinders & Electrics



Manifold Gate Configurations

Contact the Lorenz Sales Team for expert advice on how to solve your problem application

Non-standard sizes & configurations...
customized flanges... client specified cylinders & electrics...
special seal configurations... space constraints...
corrosive applications... hazardous locations...
high temperatures... air purging... outdoor installations...



Made to Order Cyclones



Customized Probe Box

ONE STOP SHOPPING



Valves with Modified Inlet/Outlets

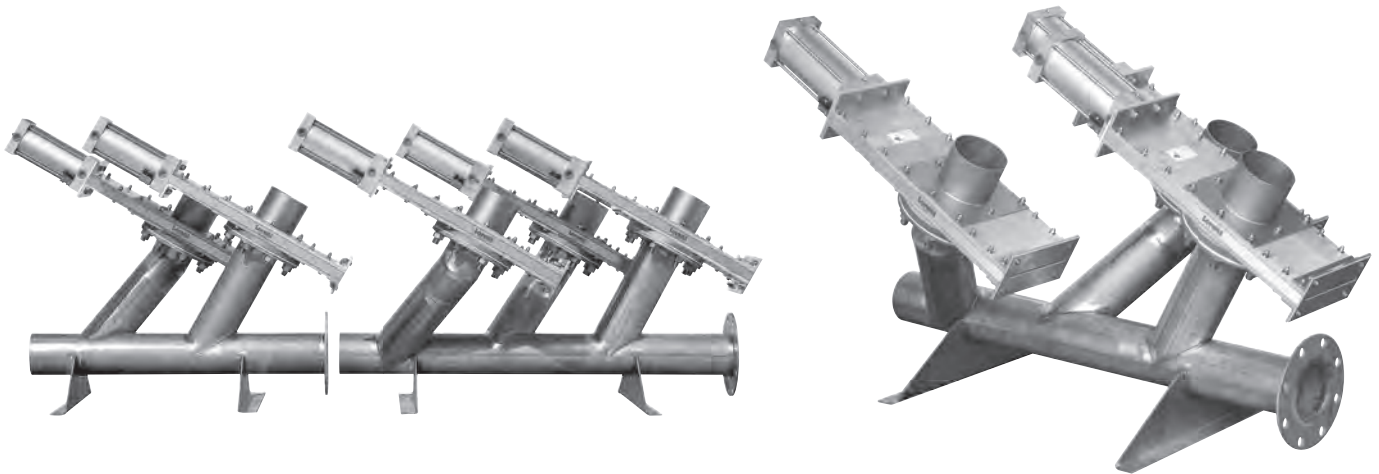


Rectangular Gates

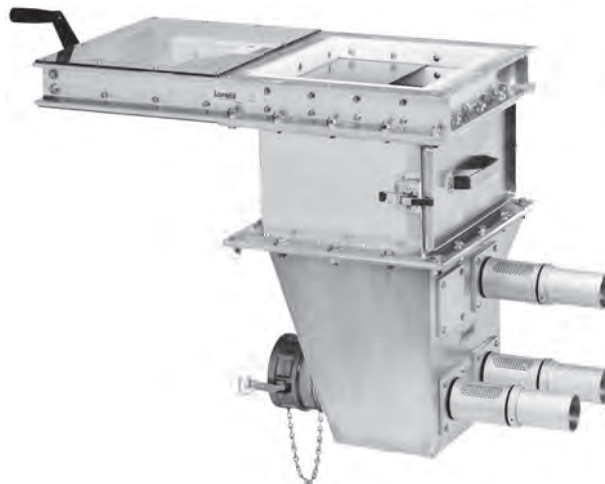
Manufactured under an ISO9001-2008 Quality Management System

Lorenz

Pre-assembled Manifolds



Complete Assemblies



Printed May 2016

THE CONVEYING PRODUCTS PEOPLE

Canada 1-800-263-1942 | USA 1-800-263-7782 | sales@lorenz.ca | www.lorenzproducts.com | An ISO 9001-2008 Registered Company