

# High Capacity Live Bottom Bin

*Smart Solutions To Keep You Moving!*

Ensign's High Capacity Live Bottom Bins, sometimes referred to as fluff bins, are a very effective in-plant storage solution for moving high volumes of difficult flowing materials such as shredded films, crumb rubber, flakes, carpet fibers, and others.



Bin shown with optional VFD and 12" discharge auger.

Ranging in sizes from 50 cubic feet capacity to 1000 cubic feet capacity, Ensign can provide in-plant storage bins to receive material from silos, rail unloading systems or gravity fill methods such as screw conveyors or dumpers.

When you're ready to move material to the point-of-use, you can use our industry standard vacuum components, screw conveyors or belt conveyors/

What ever your process requirements, we look forward to providing a smart solution for you!

### **Key features:**

- Heavy duty steel construction
- Baldor TEFC motors
- AB electrical and Hoffman control panels
- Grove direct gear drives
- Industrial solid core or HD coreless augers
- Industry leading two year warranty on all parts and workmanship

*See back page for additional options and specifications.*

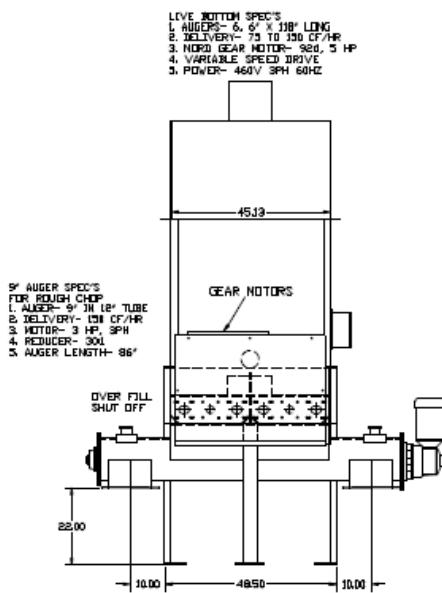
# Hi-Cap Live Bottom Bin

## Standard Features:

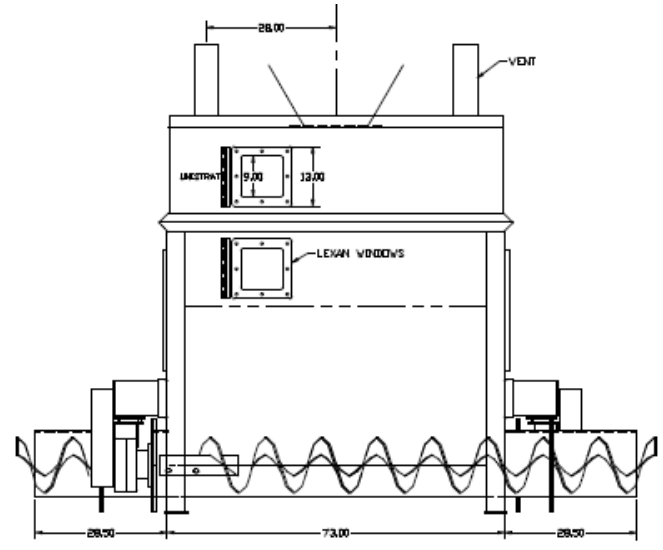
- Heavy duty steel construction
- 4" - 12" industrial solid core augers
- Grove direct gear drive
- NEMA 12 control panel w/ ON / OFF selector
- AB electrical
- Industry standard discharge flange
- Bolt down foot pads
- Ensign Blue industrial epoxy

## Optional Features:

- Stainless steel construction
- Variable frequency drive
- Lid w/ loader mounting pattern
- Vent filter
- Level control
- Single point agitator assembly
- Full length agitator assembly
- Vacuum take-away boxes (VTA's)
- Screw conveyor take-away
- Dodge and Nord drives
- Work platforms & ladders



Full live bottom (multi-auger) storage bin w/ dual discharge



Process specific dual discharge live bottom bin w/ opposing 14" flex augers

Capacity (level full)	Model	L x W x H	Auger	Discharge Height	Discharge Rate (max)
50 cu ft	21-1300	48"x48" x 86"	6" solid core / 7" tube	24"	200 cf/hr
50 cu ft	21-2300	48"x48" x 86"	9" solid core / 10" tube	24"	600 cf/hr
62 cu ft	21-1200	48"x60" x 86"	6" solid core / 7" tube	24"	200 cf/hr
62 cu ft	21-2200	48"x60" x 86"	9" solid core / 10" tube	24"	600 cf/hr