

## LiteBox

### FEATURES & ADVANTAGES

- ▼ Provides visual indication of the level status within a bin when operated in tandem with a Monitor point level sensor.
- ▼ LED lights provide superior service life over that of incandescent lamps.
- ▼ Easy to install



### Practical Tip

Tie high, intermediate and low level sensors on a silo to one LiteBox in order to receive a better idea of level status in that silo.

### PRINCIPLE OF OPERATION

The LiteBox is controlled by a single pole, double throw switch output from a Monitor point level detector. The Green 'ABSENT' light is powered by the normally closed side of the switch. When material is detected by the level monitor, the normally closed switch opens removing power to the Green light. However, as this happens, the normally open side of the S.P.D.T. switch closes connecting power to the Red 'PRESENT' light.

### PRACTICAL APPLICATIONS

- ▼ The LiteBox can be activated by any Monitor point level sensor; a single pole, double throw switch output is all that is required.
- ▼ Ideal to use when you do not have a direct visual of the level sensor or when the level switch does not have its own built-in light indicator.

### OPTIONS

- ▼ Two-Light, Four-Light and Eight-Light LiteBox Versions

### ORDERING INFORMATION

#### LITEBOX SELECTION:

Part #	Description
1-8011-2	LiteBox, 115VAC, 1 sensor (2 LED lights)
1-8012-2	LiteBox, 115VAC, 2 sensors (4 LED lights)
1-8014-2	LiteBox, 115VAC, 4 sensors (8 LED lights)

#### ACCESSORIES:

Part #	Description
1-1026	Red, Replacement LED
1-1027	Green, Replacement LED

*Nemo 4 d*



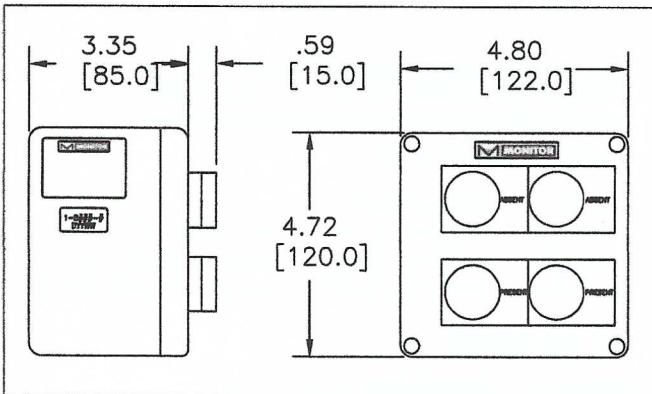
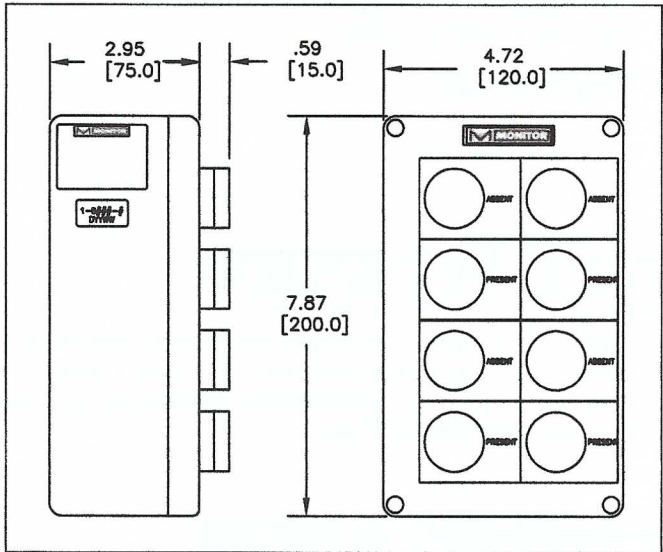
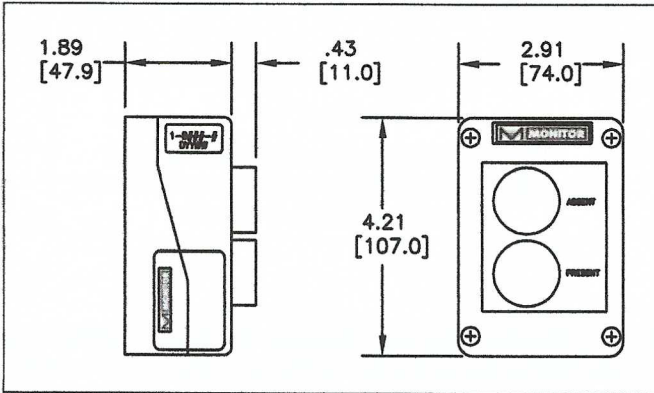


### SPECIFICATIONS

Housing:	ABS Thermoplastic
Rating:	NEMA 4, 4X, 12, 13
Knockouts:	7/8" Diameter
Lights:	LED Indicator - 120V AC, 2.6W, T3-1/4" Bayonet

### MECHANICALS

DIMENSIONS ARE SHOWN IN INCHES WITH MILLIMETER EQUIVALENT IN BRACKETS



### MONITOR TECHNOLOGIES, LLC

44W320 Keslinger Road, Elburn, IL 60119 USA

Tel: 1-630-365-9403 ▼ In US/CAN 1-800-766-6486

Fax: 1-630-365-5646 ▼ [monitor@monitortech.com](mailto:monitor@monitortech.com)

[www.monitortech.com](http://www.monitortech.com) ▼ [www.flexar.info](http://www.flexar.info)

Blog: [www.monitortech.typepad.com](http://www.monitortech.typepad.com)

Information on this sheet is subject to change without notice.