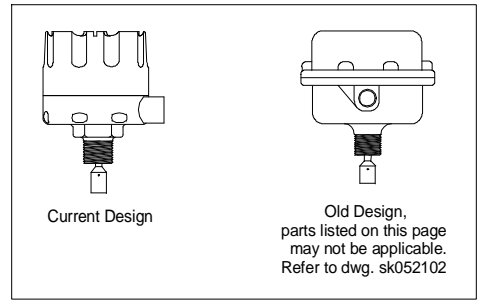
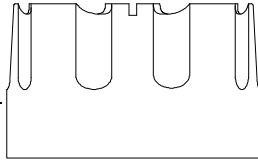


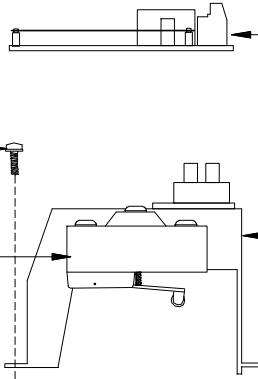
Housing Cover,



Circuit Board, Excitation,
12/24v DC Operation Only, 1-1960

Screw w/ Loc Washer,
1-0032, (four required)

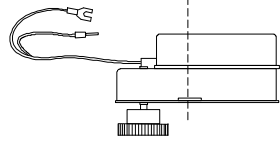
S.P.D.T. Switch Only, 1-5065
D.P.D.T. Switch Only, 1-5066



Switch Bracket Subassembly,
Two S.P.D.T. Switches, 1-4163

Switch Bracket Subassembly,
One S.P.D.T. Switch and
One D.P.D.T. Switch, 1-4164

Screw w/ Loc Washer,
1-0031, (two required)



Switch Bracket Subassembly,
Two S.P.D.T. Switch for 12/24v
DC Operation KA/KAX models
beginning May 2005, 1-4173

Snap Ring, 1-4010

Return Spring with
Cotter Pins, 1-4106

Switch Plate with Bushing
1-5007

Shim Washer, 1-0134

Slip Clutch with Drive
Shaft Subassembly, 1-3131

Sealed Bearing, 1-3074

Housing O-Ring, 1-2051

Housing Bottom

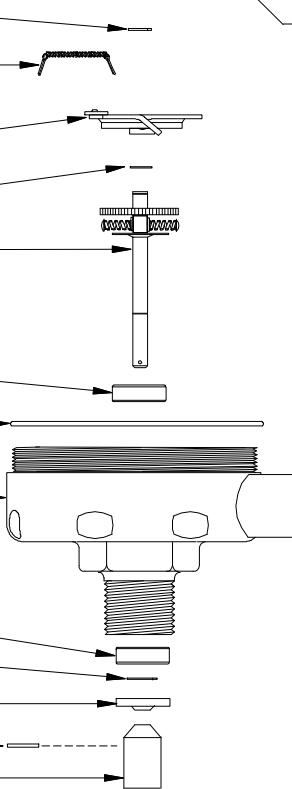
Sealed Bearing, 1-3074

Retaining Ring, 1-0075

Lip Seal, 1-2032

Dowel Pin, 1-0103

Coupling, 1-3251



Drive Motor Subassembly,
115v AC, 1-1313
240v AC, 1-1314
24v AC, 1-1317

24v DC, for models prior to May 2005, 1-1318
12v DC, for models prior to May 2005, 1-1319
48v AC, 1-1323

6v AC, for use with 12/24v DC
models beginning May 2005, 1-1316



Monitor Technologies, LLC.
Elburn, IL, USA
www.monitortech.com
Phone 630-365-9403
Fax 630-365-5646

Title Monitor Model KA / KAX
Rotary Paddle Level Monitor

Project Replacement Parts

Date Feb. 5, 2010

Dwg No SK021204b3

Pages 1 of 1